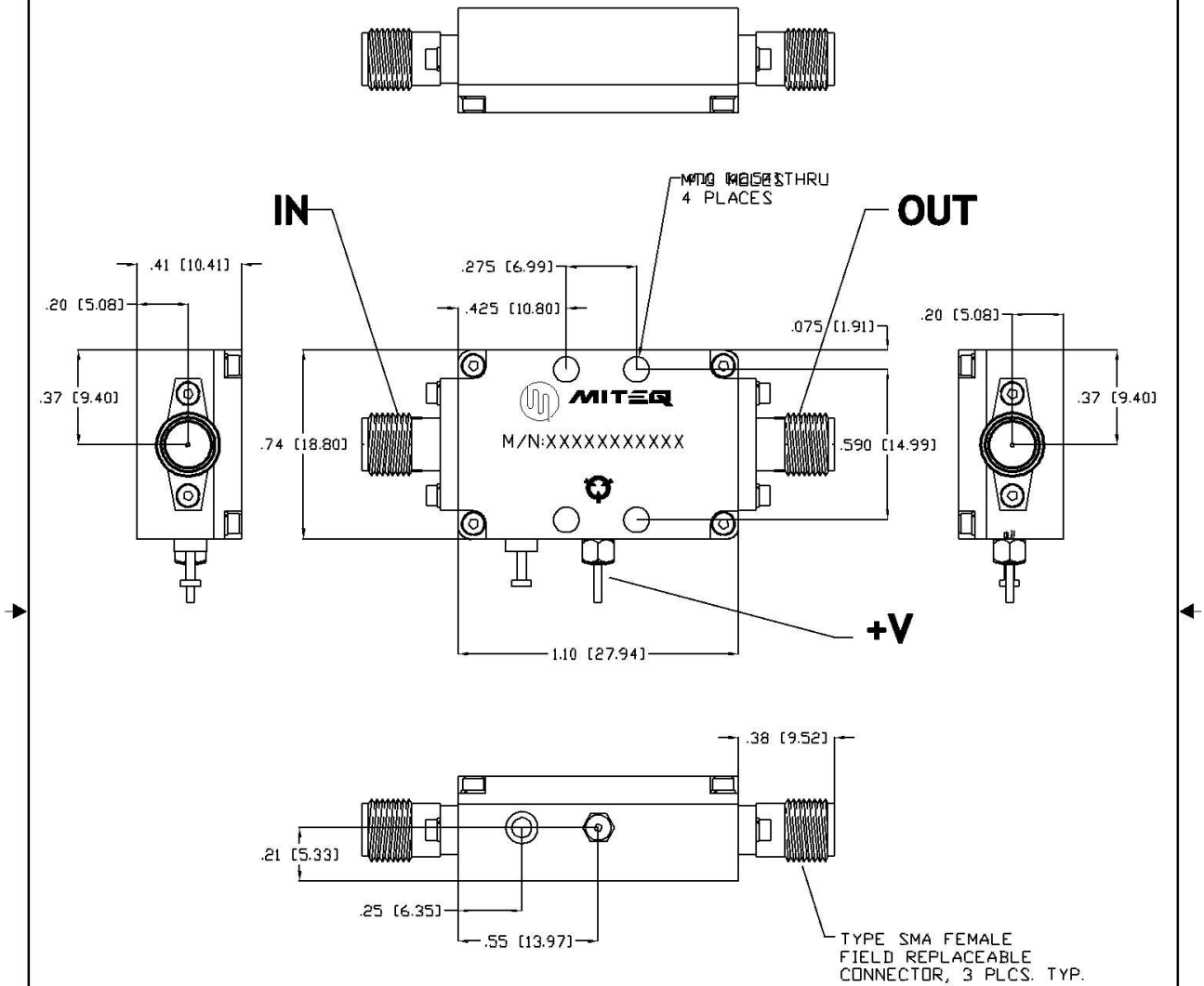


DASH NO.	APPLICATION		REVISIONS			
	NEXT ASSY	USED ON	LTR	DESCRIPTION	DATE	APPROVED
			B	Correct Dims, Add missing Info	11/8/2006	L. Cardinal



1. FINISH: NICKEL PLATE per MIL-C-26074C
2. ALL DIMENSIONS IN [] ARE IN METRIC.

ALL PAGES ARE OF ORIGINAL ISSUE (A) EXCEPT AS NOTED.	CONTR NO. MQ013		 100 Davids Drive, Hauppauge, New York 11788	
	PREP BY D. LoCicero	DATE 7/2/2004		
UNLESS OTHERWISE SPECIFIED DIMENSIONS ARE IN INCHES (MM) TOLERANCES ON DECIMAL ANGLES .XX±.01 .XXX±.005 ±0°30'	CHKD BY L. Cardinal	DATE 11/8/2006	OUTLINE DRAWING ACTIVE MULTIPLIERS Z2 PKG	
	PRJ ENGR B. Jang	DATE 11/8/2006		
	APPROVAL (PROJ)	SIZE A	CODE IDENT. NO. 33592	157637
	APPROVAL (GOVT)	SCALE	REV. B	SHEET 1 OF 1