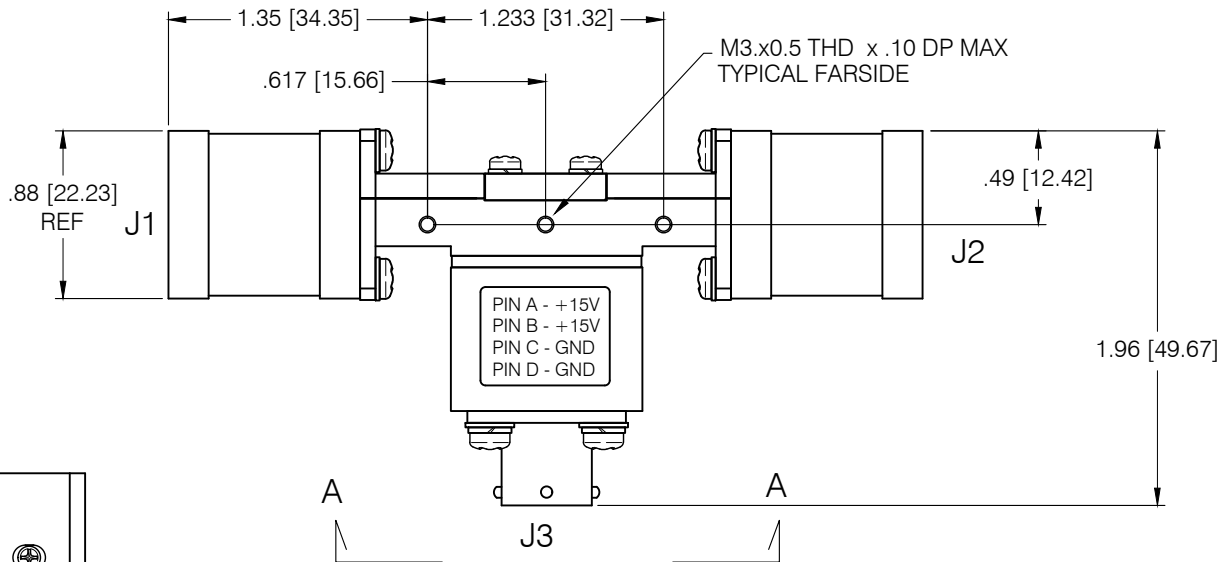
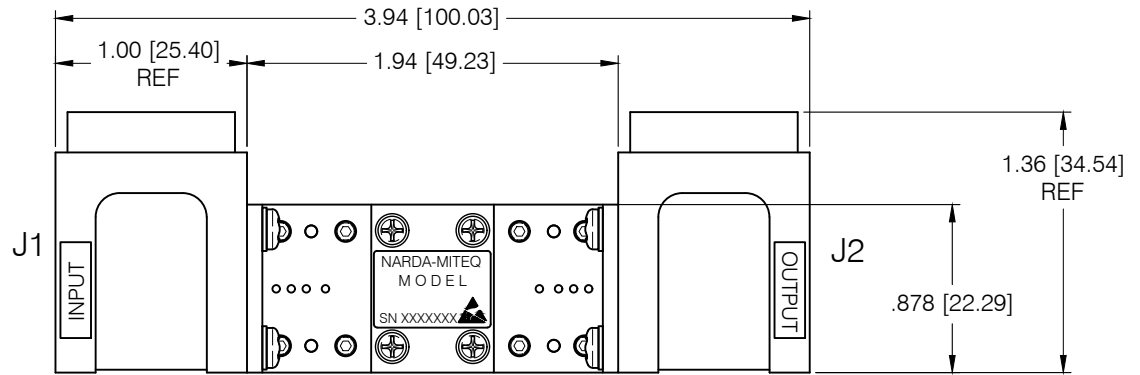
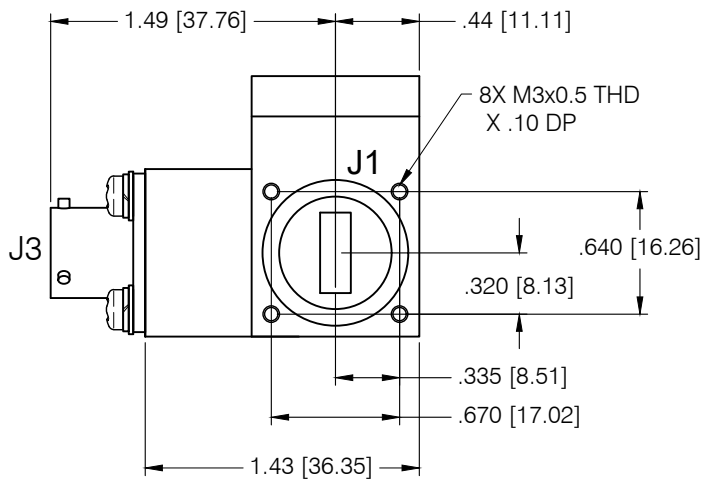
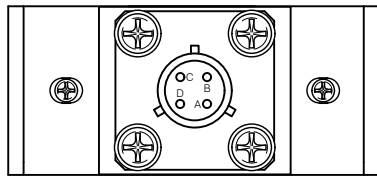


| REVISIONS | | | | |
|-----------|-----|------------------------|---------|----------|
| ZONE | LTR | DESCRIPTION | DATE | APPROVED |
| | E | Incorporated ECN 50004 | 1/20/19 | rs |



INTERCONNECT DATA:

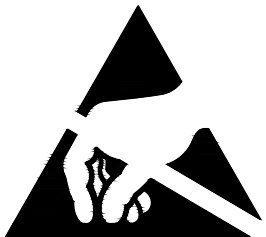
- J1: 'RF INPUT' PBR220 WITH 'O' RINGS
- J2: 'RF OUTPUT' PBR220 WITH 'O' RINGS
- J3: 4 PIN BAYONNET DC CONN. MS3112E8-4P.
- A: LNA POWER
- B: LNA POWER
- C: RETURN
- D: RETURN



VIEW 'A-A'

PRINT NOT ON AUTOMATIC DISTRIBUTION VERIFY REVISION PRIOR TO USE

| | | | | | | | | | | | | | |
|---|---------------------------|------------|---|--|---|------------|---------------------------|----------|--------------|------|-----------------------|---|---|
| <p>Narda-MITEQ PROPRIETARY THIS DOCUMENT CONTAINS INFORMATION WHICH IS PROPRIETARY TO Narda-MITEQ. THE CONTENTS SHALL NOT BE DISCLOSED, COPIED, DISTRIBUTED, OR USED UNLESS AUTHORIZED BY AN OFFICER OF Narda-MITEQ.</p> | MARKING | 157625 | <p>UNLESS OTHERWISE SPECIFIED DIMENSIONS ARE IN INCHES TOLERANCES ON DECIMALS .XX ± .01 .XXX ± .005 ANGLES ± 0°30'</p> | <table border="1"> <tr> <td>DRAWN</td> <td>A. Russell</td> <td>DATE</td> <td>06/04/04</td> </tr> <tr> <td>DRAFT DESIGN</td> <td>rs</td> <td></td> <td>01/06/20</td> </tr> </table> | DRAWN | A. Russell | DATE | 06/04/04 | DRAFT DESIGN | rs | | 01/06/20 | <p>narda MITEQ 435 MORELAND RD HAUPPAUGE, NY 11788</p> |
| | DRAWN | A. Russell | | DATE | 06/04/04 | | | | | | | | |
| DRAFT DESIGN | rs | | 01/06/20 | | | | | | | | | | |
| <p>THESE ITEM(S)/TECHNOLOGY CONTAIN INFORMATION SUBJECT TO U.S. GOVERNMENT EXPORT CONTROL IN ACCORDANCE WITH THE EXPORT ADMINISTRATION REGULATIONS (EAR), 15 CFR PARTS 730-744. EXPORT OF THIS DATA TO ANY FOREIGN COUNTRY OR DISCLOSURE OF THIS DATA TO ANY NON-US PERSON MAY BE A VIOLATION OF FEDERAL LAW.</p> | HOUSING | 157576 | <table border="1"> <tr> <td colspan="2">APPROVED BY</td> </tr> <tr> <td>PROJ ENGR</td> <td>Joseph Buoniauto 01/06/20</td> </tr> <tr> <td>MFG ENGR</td> <td></td> </tr> <tr> <td>O.A.</td> <td>John Mendoza 01/06/20</td> </tr> </table> | APPROVED BY | | PROJ ENGR | Joseph Buoniauto 01/06/20 | MFG ENGR | | O.A. | John Mendoza 01/06/20 | <p>OUTLINE, AMPLIFIER WITH ISOLATORS. MODEL AMFWW-6F-202212-BAE</p> | |
| APPROVED BY | | | | | | | | | | | | | |
| PROJ ENGR | Joseph Buoniauto 01/06/20 | | | | | | | | | | | | |
| MFG ENGR | | | | | | | | | | | | | |
| O.A. | John Mendoza 01/06/20 | | | | | | | | | | | | |
| <p>APPLICATION</p> | NEXT ASSY | USED ON | <table border="1"> <tr> <td>SIZE</td> <td>CODE IDENT. NO.</td> <td>REV.</td> </tr> <tr> <td>C</td> <td>99899</td> <td>E</td> </tr> </table> | SIZE | CODE IDENT. NO. | REV. | C | 99899 | E | | | | |
| SIZE | CODE IDENT. NO. | REV. | | | | | | | | | | | |
| C | 99899 | E | | | | | | | | | | | |
| | | | | AUTOCAD FILE FORMAT | <table border="1"> <tr> <td>SCALE</td> <td>REF</td> <td>P131168</td> <td>SHEET 1 OF 1</td> </tr> </table> | SCALE | REF | P131168 | SHEET 1 OF 1 | | | | |
| SCALE | REF | P131168 | SHEET 1 OF 1 | | | | | | | | | | |



157554

A

AUTOCAD 15:30:21