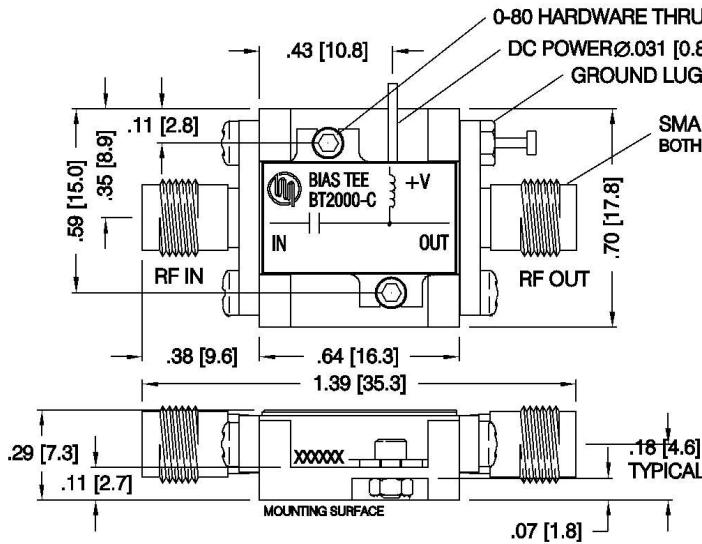
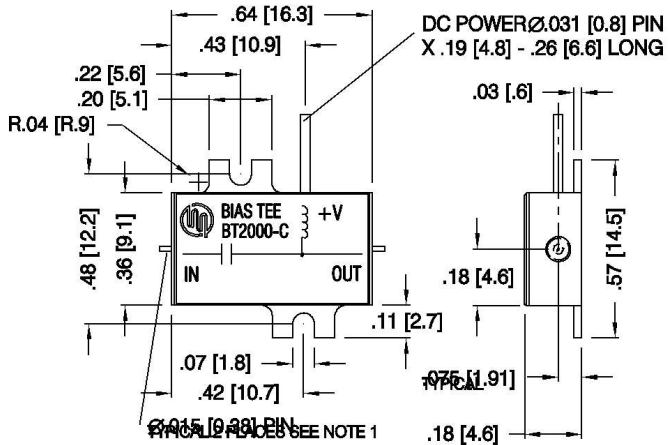


DASH NO.	APPLICATION		REVISIONS			
	NEXT ASSY	USED ON	LTR	DESCRIPTION	DATE	APPROVED
			A	INITIAL RELEASE	5/19/04	RayS



OPTION 1
AMPLIFIER MAY BE READILY USED AS IS, BY REMOVING EXISTING 0-80 HARDWARE AND SUBSTITUTING WITH LONGER 0-80 SCREWS FOR CUSTOMER MOUNTING



OPTION 2
OR AS A "DROP-IN" AMPLIFIER BY REMOVING "SMA" CONNECTORS AND MOUNTING HARDWARE AS SHOWN

NOTES

- PIN LENGTH FROM BODY TO BE 0.080 [2.03] NOMINAL, 0.050 [1.27] MIN, 0.100 [2.54] MAX
- DIMENSIONS SHOWN IN BRACKETS ARE IN MILLIMETERS

UNLESS OTHERWISE SPECIFIED DIMENSIONS ARE IN INCHES TOLERANCES ON DECIMAL .XX ±.01 DECIMAL .XXX ±.005 ANGLES X° ±30°	NAME	DATE	 100 Davids Drive, Hauppauge, New York 11788		
	DWN BY RayS	5/19/04			
	CHK BY RayS	5/19/04	AFS4 BIAS TEE AMPLIFIER OUTLINE		
	PROJ ENGR N. Shaikh	6/18/04			
SECT HEAD			SIZE	CODE IDENT. NO.	REV
Q.C.			A	33592	A
CUST			SCALE	PROJECT	SHEET OF 1