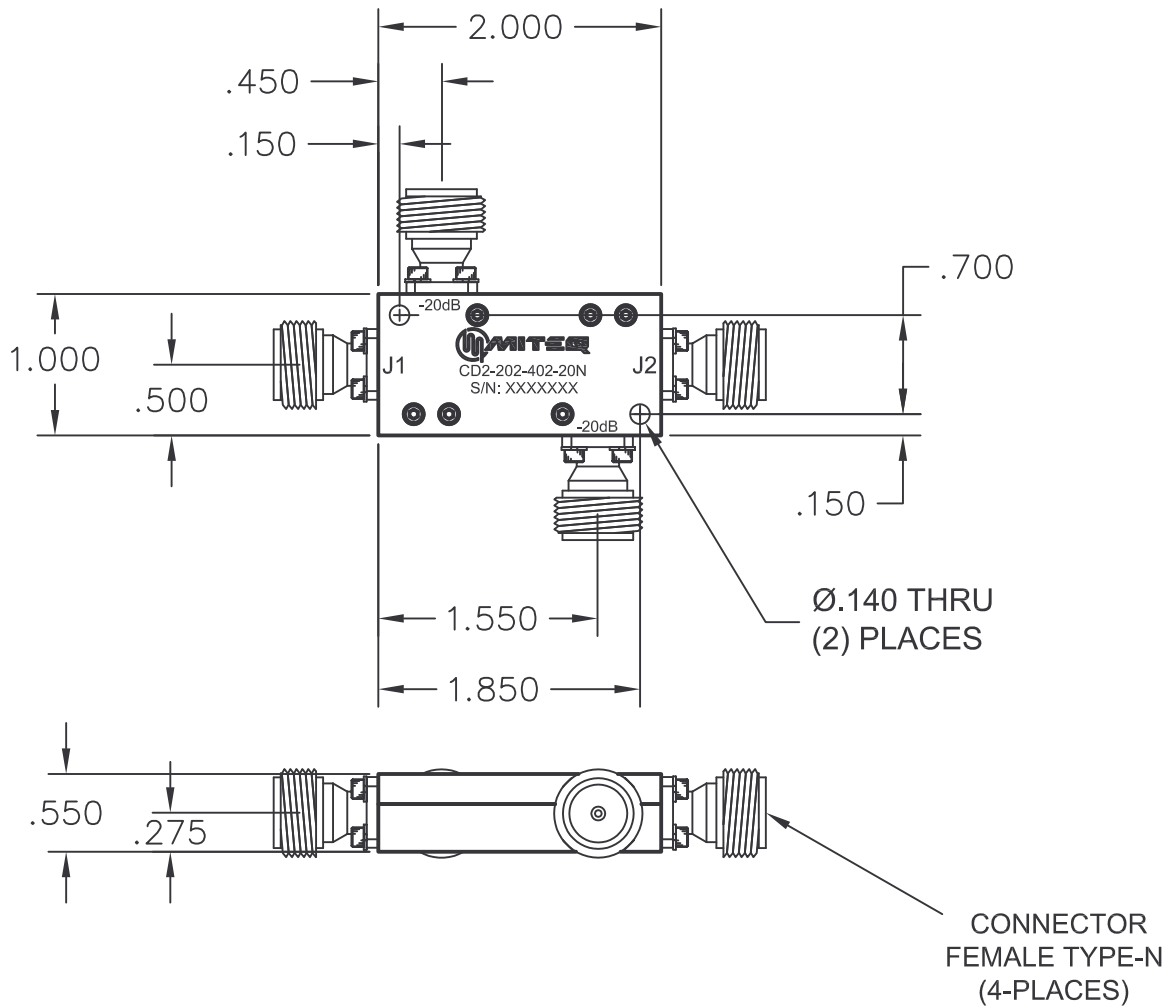



| DASH NO. | APPLICATION | | REVISIONS | | | |
|----------|-------------|---------|-----------|------------------------|----------|-------------------|
| | NEXT ASSY | USED ON | LTR | DESCRIPTION | DATE | APPROVED |
| | | | B | INCORPORATED ECN 20716 | 08/16/11 | <i>J. Campisi</i> |



NOTES:

1. MATERIAL: ALUMINUM 6061-T6
2. FINISH: SODIUM ELECTROLESS NICKEL
.0002-.0004 MICRO-INCHES PER
SAE AMC-C-26074B.

| | | | | |
|---|----------------------------------|------------------|---|---------------------------------|
| ALL PAGES ARE OF ORIGINAL ISSUE (A) EXCEPT AS NOTED. | CONTR NO. 38POD77 | |  100 Davids Drive, Hauppauge, New York 11788 | |
| | PREP BY <i>W. Hurst</i> | DATE 05/04/04 | | |
| UNLESS OTHERWISE SPECIFIED DIMENSIONS ARE IN INCHES TOLERANCES ON DECIMALS .XX±.01 .XXX±.005 ANGLES ±0°30' | CHKD BY <i>J. Campisi</i> | DATE 08/17/11 | OUTLINE DRAWING DUAL-DIRECTIONAL COUPLER CD2-202-402-20N | |
| | PROJ ENGR <i>W. Davidsson</i> | DATE 08/19/11 | | |
| | APPROVAL (PROJ) | | SIZE A | CODE IDENT. NO. 33592 |
| APPROVAL (GOVT) | | SCALE | REV. B | SHEET 1 OF 1 |