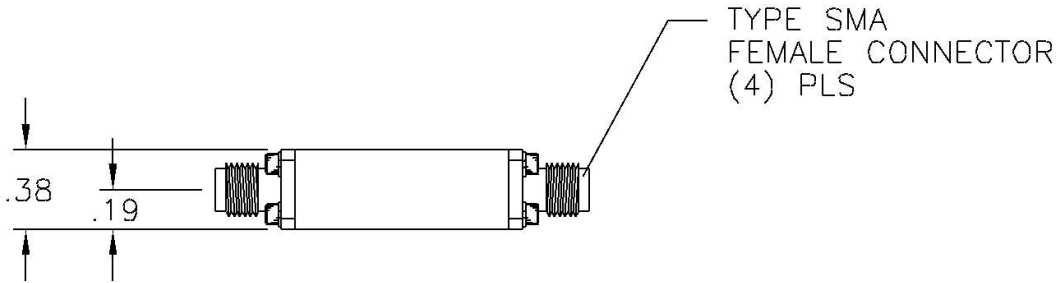
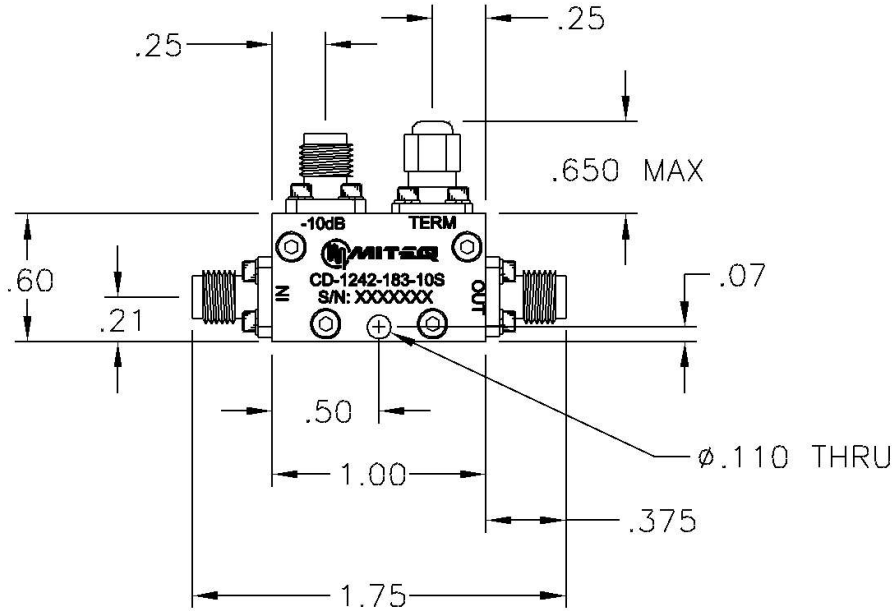


| DASH NO. | APPLICATION |         | REVISIONS |                        |          |          |
|----------|-------------|---------|-----------|------------------------|----------|----------|
|          | NEXT ASSY   | USED ON | LTR       | DESCRIPTION            | DATE     | APPROVED |
|          |             |         | B         | Incorporated ECN 14168 | 11/20/09 |          |



NOTES:

- FINISH:  
TRIVALENT CHROMATE CONVERSION  
IAW MIL-DTL-5541F, TYPE II, CLASS 3.

|   |                               |               |   |                       |              |
|---|-------------------------------|---------------|---|-----------------------|--------------|
| ALL PAGES ARE OF ORIGINAL ISSUE (A) EXCEPT AS NOTED.  | CONTR NO. 12D001              |               | <br>100 Davids Drive, Hauppauge, New York 11788           |                       |              |
|   | PREP BY NAME <i>W. HURST</i>  | DATE 02/09/05 |   |                       |              |
| UNLESS OTHERWISE SPECIFIED DIMENSIONS ARE IN INCHES TOLERANCES ON<br>DECIMALS .XX±.01 ANGLES ±0°30' | CHKD BY                       |               | OUTLINE DRAWING<br>DIRECTIONAL COUPLER<br>CD-1242-183-10S |                       |              |
|   | PROJ ENGR <i>W. Davidsson</i> | DATE 12/07/09 |   |                       |              |
|   | APPROVAL (PROJ)               |               | SIZE A  | CODE IDENT. NO. 33592 | 156754       |
|   | APPROVAL (GOVT)               |               | SCALE   | REV. B                | SHEET 1 OF 1 |