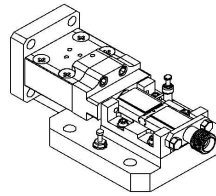
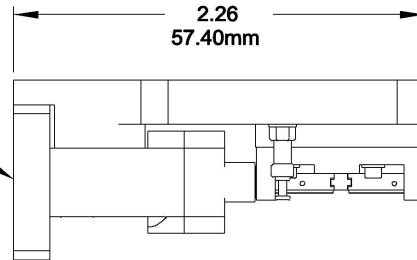


| REVISIONS | | | | |
|-----------|-----|-----------------|----------|----------|
| ZONE | LTR | DESCRIPTION | DATE | APPROVED |
| A | | INITIAL RELEASE | 01/26/04 | EgMandy |

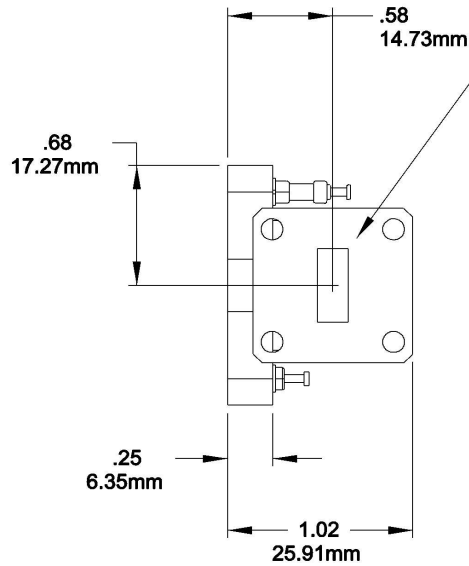


ISOMETRIC VIEW

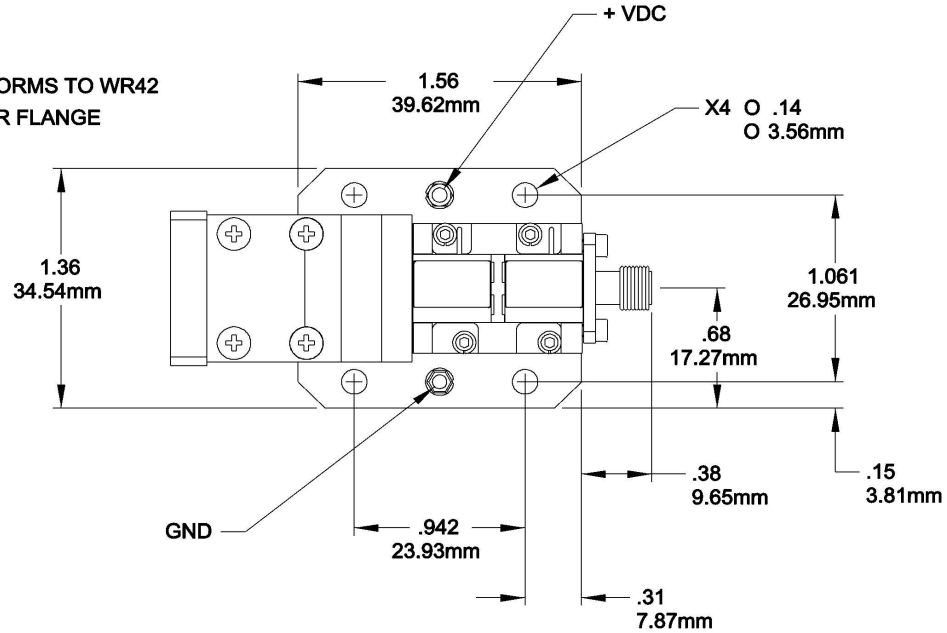
RF INPUT



RF OUTPUT



CONFORMS TO WR42 COVER FLANGE



NOTE:
1. SECONDARY DIMENSIONS ARE IN MILLIMETERS.

| -5 | -4 | -3 | -2 | -1 | NOMENCLATURE OR DESCRIPTION | SYM/NOTES | PART NO. | CODE IDENT. | ITEM NO. | |
|---|----|----|----|----|--|-----------|---|----------------|--------------|--|
| | | | | | | | | | | |
| QTY REQ'D | | | | | PARTS LIST | | | | | |
| UNLESS OTHERWISE SPECIFIED DIMENSIONS ARE IN INCHES TOLERANCES ON | | | | | DRN BY: <i>EgMandy</i> DATE: 01/26/04 CHD BY: <i>EgMandy</i> 08/20/08 | | 100 Davids Drive, Hauppauge, New York 11788 OUTLINE, JSD2 AMPLIFIER, W/ WR42 INPUT/ 'K' CONN. OUTPUT | | | |
| DECIMALS .XX±.01 ANGLES .XXX±.005 ±0°30' | | | | | APPROVED BY: PRJ ENGR: <i>J. Decker</i> 08/20/08 ENG SECT: | | | | | |
| MATERIAL | | | | | FINISH | | SIZE | CODE IDENT. NO | REV. | |
| NEXT ASSY | | | | | USED ON | | C | 33592 | 154436 | |
| APPLICATION | | | | | HEAT TREAT | | SCALE | REF | SHEET 1 OF 1 | |