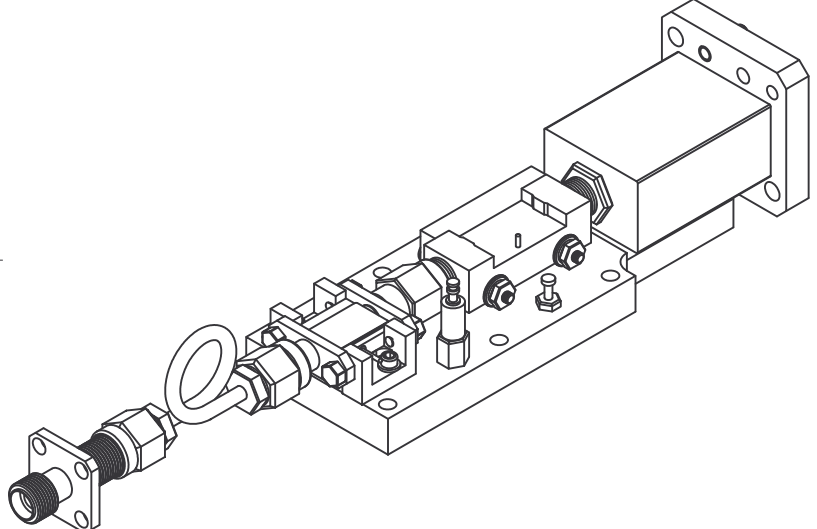
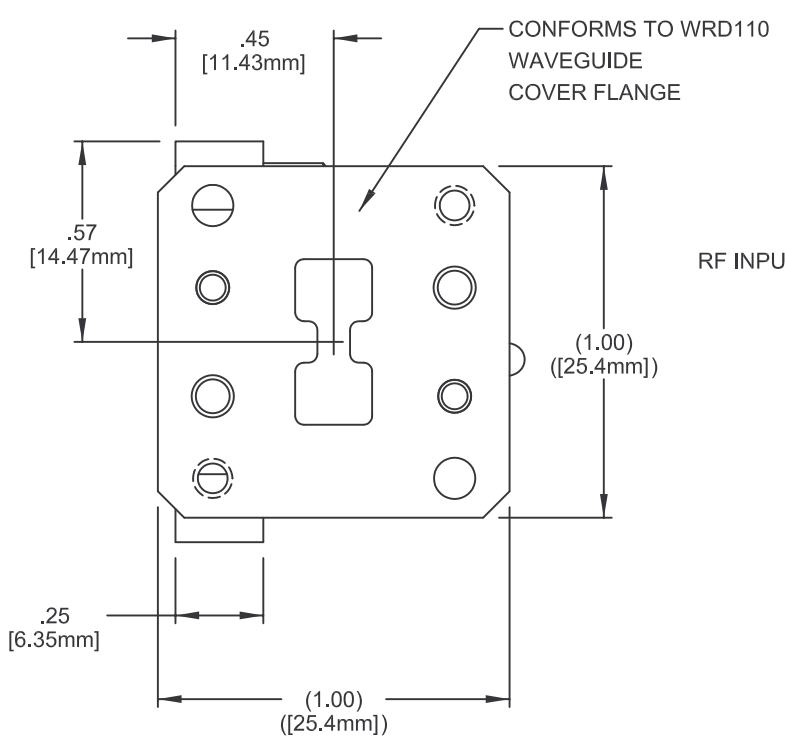
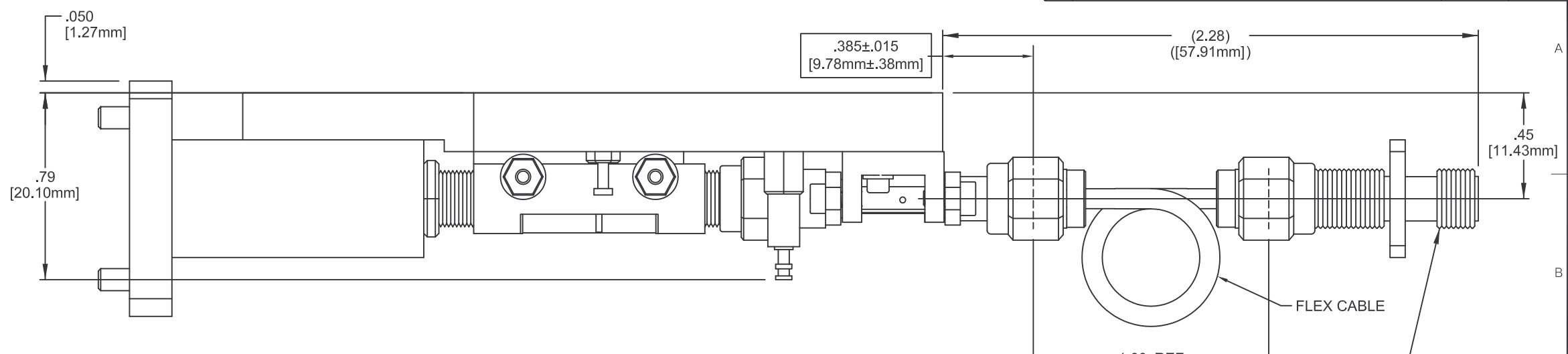


CODE IDENT. NO. 33592	ESD CONTROL 	PRJ ENG J. Decker	DATE 3/4/2005	DEPT HD	DATE	QC	DATE	DESCRIPTION OUTLINE, JS AMPLIFIER W / WRD110 WG INPUT	MATERIAL:	FINISH:	DRAWING NUMBER 153613	REV A	PROJECT SHEET 1 OF 1
		DRN BY JAB	DATE 11/18/2003	CHK/PM APP EJMarty	DATE 12/16/2003	CUSTOMER	DATE						

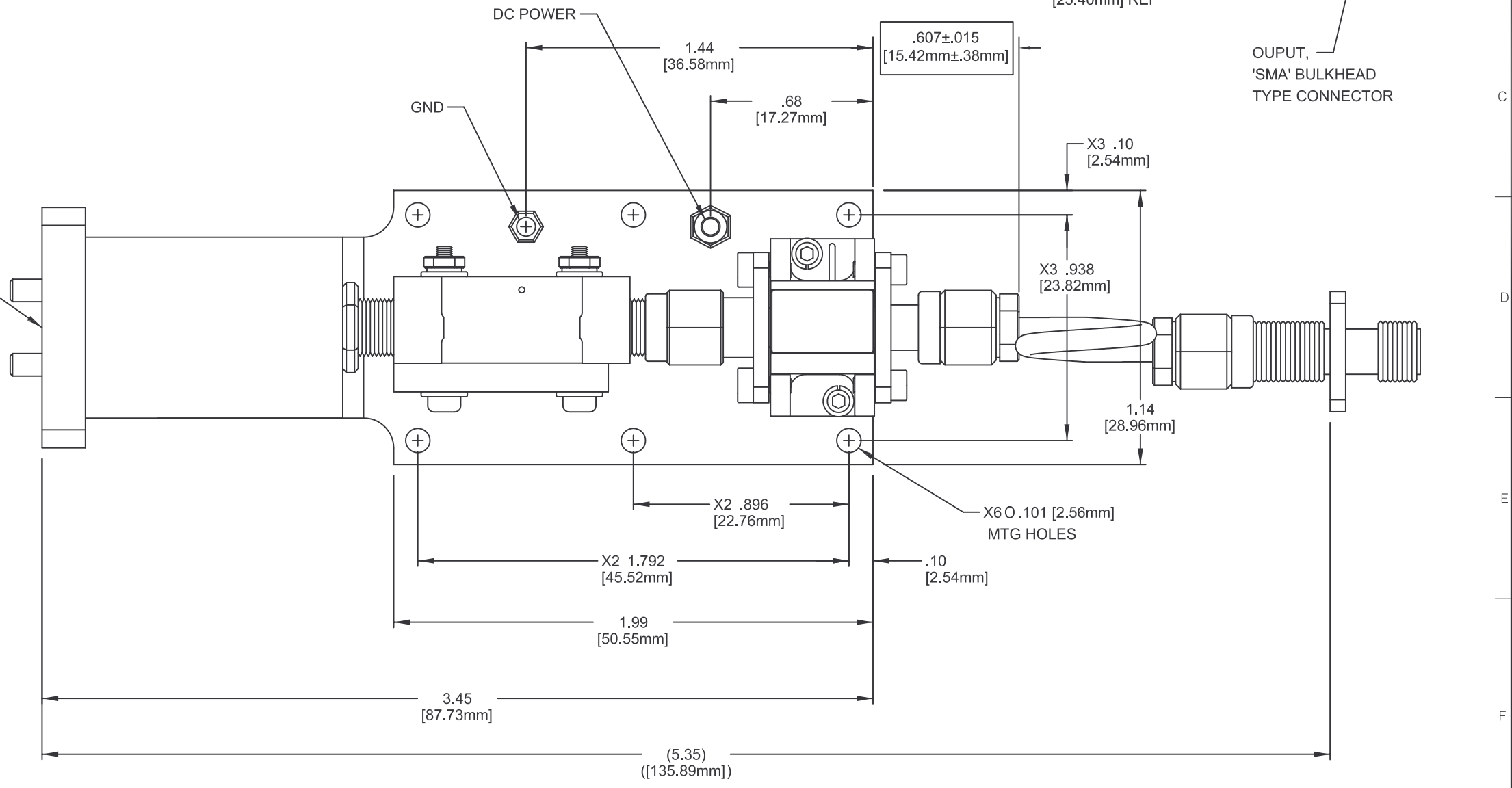
REV	REVISION DESCRIPTION	DATE	APP
A	INITIAL RELEASE	11/18/2003	EJMarty



ISOMETRIC VIEW



RF INPUT



OUPUT, 'SMA' BULKHEAD TYPE CONNECTOR

NOTES :

1. SECONDARY DIMENSIONS ARE IN MILLIMETERS.