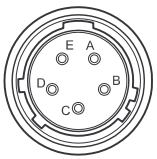
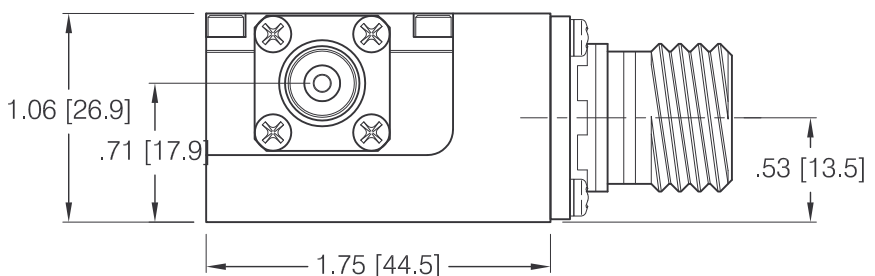
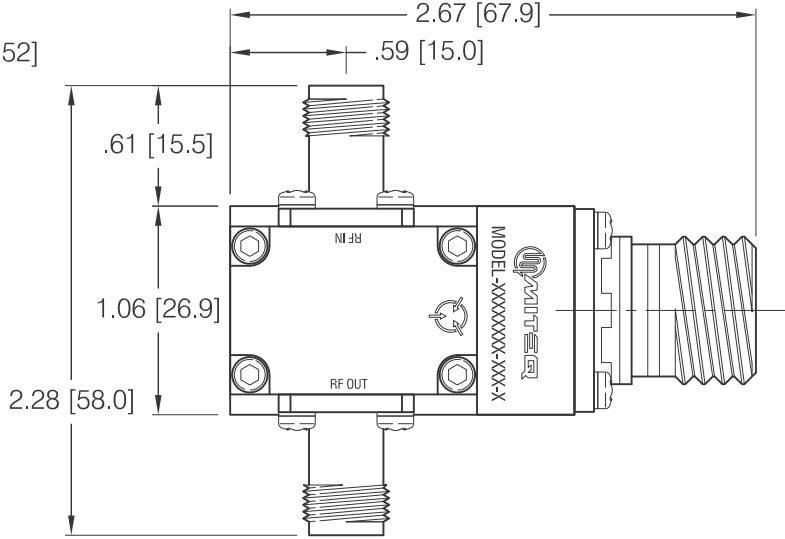
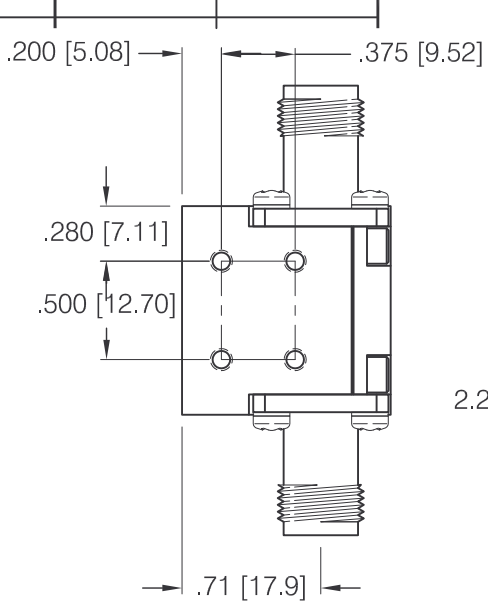


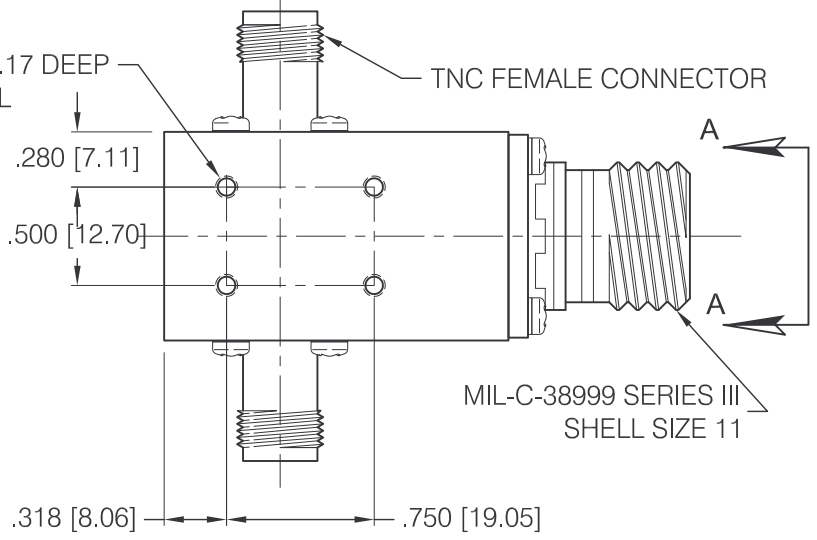
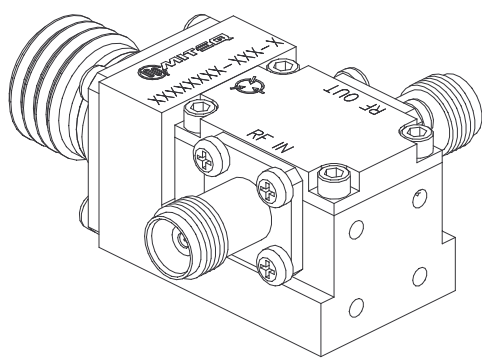
DASH NO.	APPLICATION		REVISIONS			
	NEXT ASSY	USED ON	LTR	DESCRIPTION	DATE	APPROVED
	153604		A		11/17/03	<i>RayS</i>




CONNECTOR VIEW A-A

4-40 UNC 2B X .17 DEEP TYPICAL

TNC FEMALE CONNECTOR



MIL-C-38999 SERIES III SHELL SIZE 11

UNLESS OTHERWISE SPECIFIED DIMENSIONS ARE IN INCHES TOLERANCES ON	NAME	DATE	 100 Davids Drive, Hauppauge, New York 11788		
	DWN BY <i>RayS</i>	11/17/03			
DECIMAL .XX ±.01 DECIMAL .XXX ±.005 ANGLES X° ±30'	CHK BY <i>RayS</i>	3/3/04	OUTLINE SAFS-6100321 GLOBAL HAWK LNA NORTHROP GRUMMAN		
	PROJ ENGR <i>Buonaiuto</i>	4/2/04			
	SECT HEAD		SIZE	CODE IDENT. NO.	REV
	Q.C.		A	33592	A
	CUST		153603		
			SCALE	PROJECT	SHEET 1 OF 1