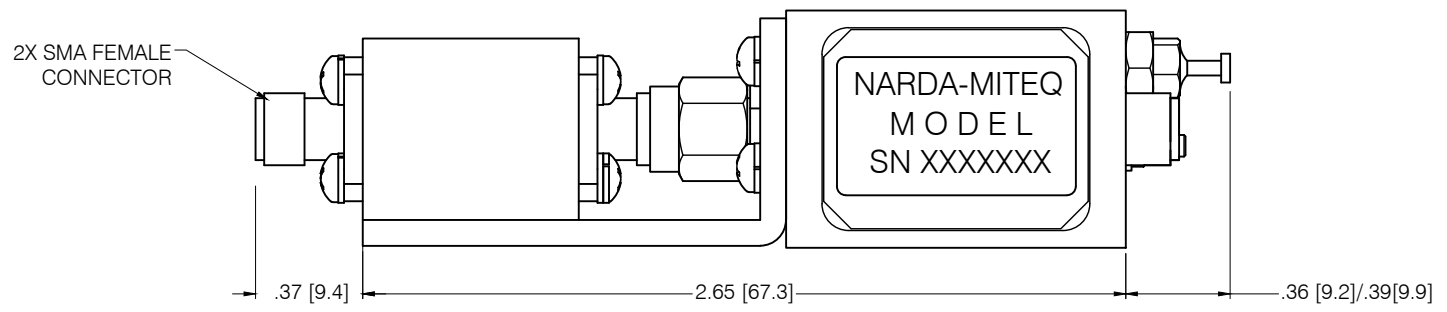
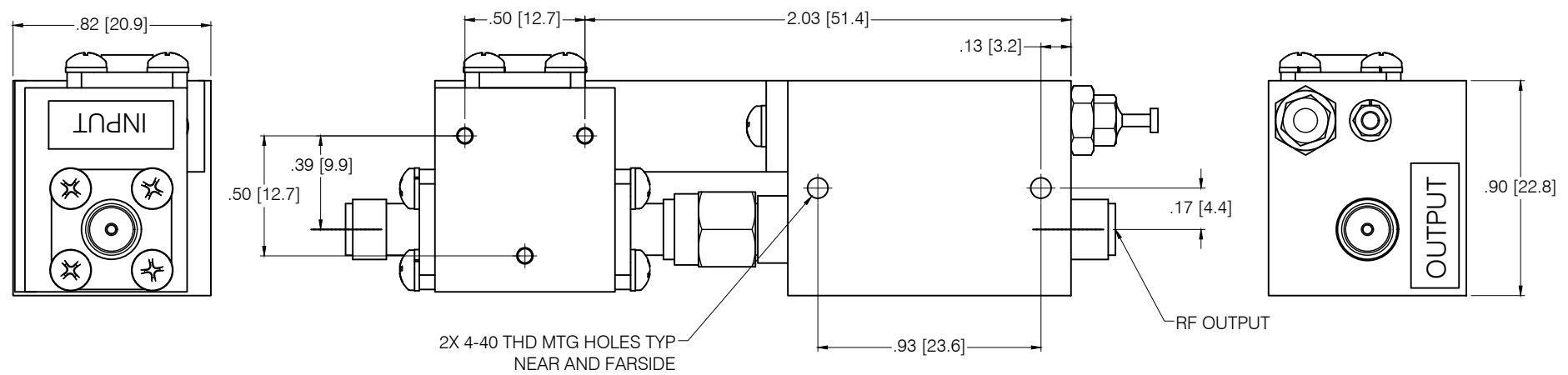
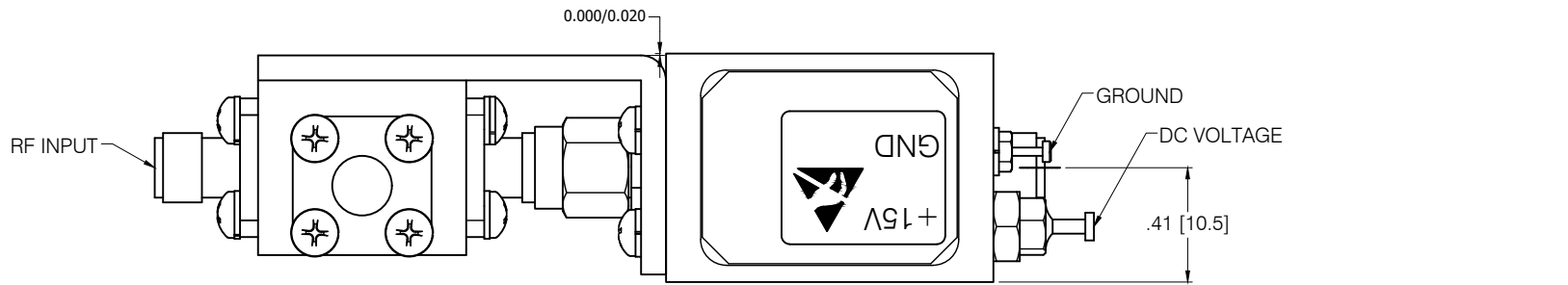


REVISIONS				
ZONE	LTR	DESCRIPTION	DATE	APPROVED
E		Incorporated ECN 38497	04/12/17	rs



PRINT NOT ON AUTOMATIC DISTRIBUTION VERIFY REVISION PRIOR TO USE

<p>Narda-MITEQ PROPRIETARY THIS DOCUMENT CONTAINS INFORMATION WHICH IS PROPRIETARY TO Narda-MITEQ. THE CONTENTS SHALL NOT BE DISCLOSED, COPIED, DISTRIBUTED, OR USED UNLESS AUTHORIZED BY AN OFFICER OF Narda-MITEQ.</p> <p>THESE ITEM(S)/TECHNOLOGY CONTAIN INFORMATION SUBJECT TO U.S. GOVERNMENT EXPORT CONTROL IN ACCORDANCE WITH THE EXPORT ADMINISTRATION REGULATIONS (EAR), 15 CFR PARTS 730-744. EXPORT OF THIS DATA TO ANY FOREIGN COUNTRY OR DISCLOSURE OF THIS DATA TO ANY NON-US PERSON MAY BE A VIOLATION OF FEDERAL LAW.</p>			UNLESS OTHERWISE SPECIFIED DIMENSIONS ARE IN INCHES TOLERANCES ON DECIMALS ANGLES .XX ± .01 .XXX ± .005 ± 0°30'	<table border="1"> <tr> <td>DRAWN</td> <td><i>KJBovaird</i></td> <td>DATE</td> <td>10/07/03</td> </tr> <tr> <td>DRAFT DESIGN</td> <td>rs</td> <td>DATE</td> <td>04/12/17</td> </tr> </table>	DRAWN	<i>KJBovaird</i>	DATE	10/07/03	DRAFT DESIGN	rs	DATE	04/12/17	 <small>435 MORELAND RD HALPPAUGE, NY 11788</small>	<p>OUTLINE MINIATURE BALANCED AMPLIFIER</p>		
	DRAWN	<i>KJBovaird</i>	DATE	10/07/03												
	DRAFT DESIGN	rs	DATE	04/12/17												
					<table border="1"> <tr> <td>PROJ ENGR</td> <td><i>R. Syed</i></td> <td>DATE</td> <td>04/12/17</td> </tr> <tr> <td>MFG ENGR</td> <td></td> <td></td> <td></td> </tr> <tr> <td>O.A.</td> <td></td> <td></td> <td></td> </tr> </table>	PROJ ENGR	<i>R. Syed</i>	DATE	04/12/17	MFG ENGR				O.A.		
PROJ ENGR	<i>R. Syed</i>	DATE	04/12/17													
MFG ENGR																
O.A.																
	217751	LABELS			<table border="1"> <tr> <td>SIZE</td> <td>CODE IDENT. NO.</td> <td>REV.</td> </tr> <tr> <td>C</td> <td>99899</td> <td>E</td> </tr> </table>	SIZE	CODE IDENT. NO.	REV.	C	99899	E					
SIZE	CODE IDENT. NO.	REV.														
C	99899	E														
	NEXT ASSY	USED ON	FINISH	AUTOCAD FILE FORMAT	<table border="1"> <tr> <td>SCALE</td> <td>REF</td> <td>SHEET 1 OF 1</td> </tr> </table>	SCALE	REF	SHEET 1 OF 1								
SCALE	REF	SHEET 1 OF 1														

153073

AUTOCAD 15:3021