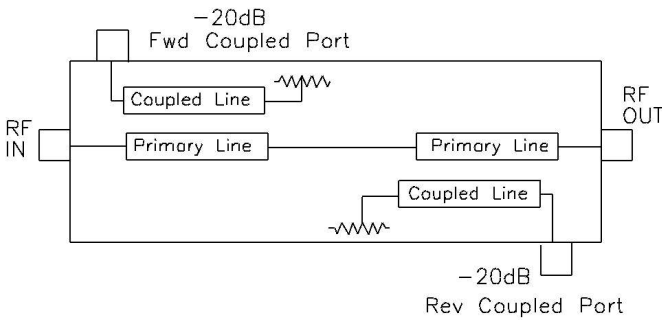
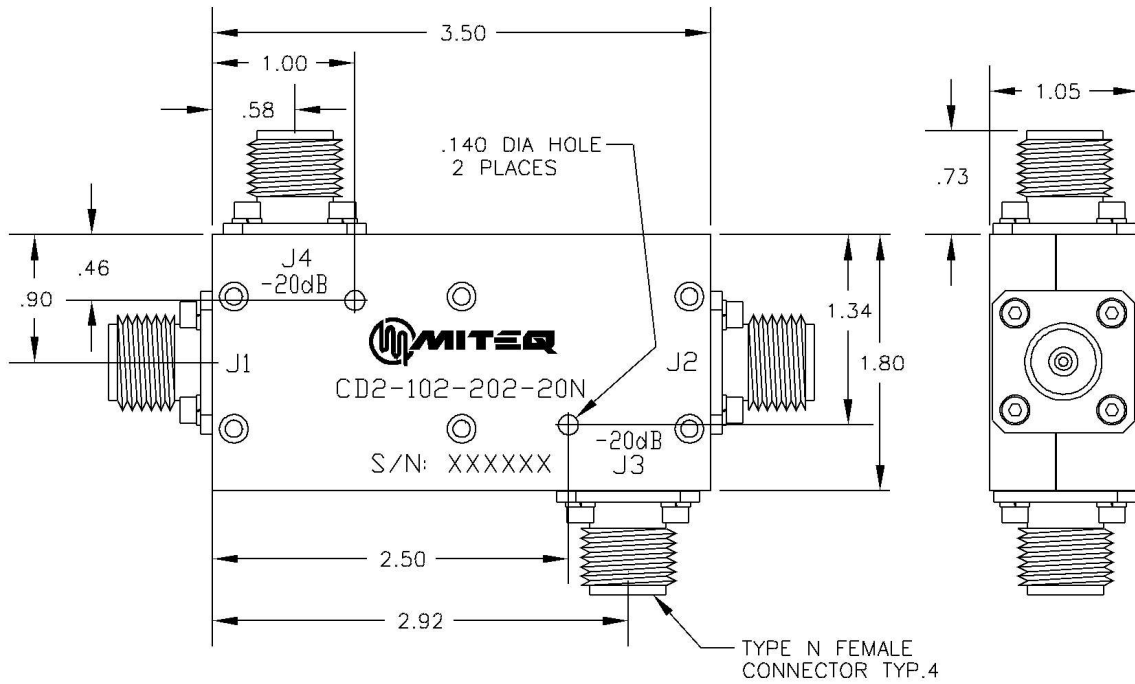


| DASH NO. | APPLICATION | | REVISIONS | | | |
|----------|-------------|---------|-----------|------------------------|----------|-------------------|
| | NEXT ASSY | USED ON | LTR | DESCRIPTION | DATE | APPROVED |
| | | | B | Incorporated ECN 10876 | 01/05/09 | <i>n.stallone</i> |



- NOTES:
1. MATERIAL: ALUM ALLOY 6061-T6
 2. FINISH: TRIVALENT CHROMATE CONVERSION IAW MIL-DTL-5541F, TYPE 2, CLASS 3

| | | | |
|--|-------------------------------|---------------|--|
| ALL PAGES ARE OF ORIGINAL ISSUE (A) EXCEPT AS NOTED. | CONTR NO. 12D001 | | 100 Davids Drive, Hauppauge, New York 11788 |
| | PREP BY NAME <i>WJC</i> | DATE 08/05/03 | |
| | CHKD BY <i>n.stallone</i> | DATE 01/28/09 | OUTLINE DRAWING CD2-102-202-20N DUAL DIRECTIONAL COUPLER |
| | PROJ ENGR <i>W. Davidsson</i> | DATE 01/28/09 | |
| APPROVAL (PROJ) | | SIZE A | CODE IDENT. NO. 152071 |
| APPROVAL (GOVT) | | SCALE | REV. B SHEET 1 OF 1 |