

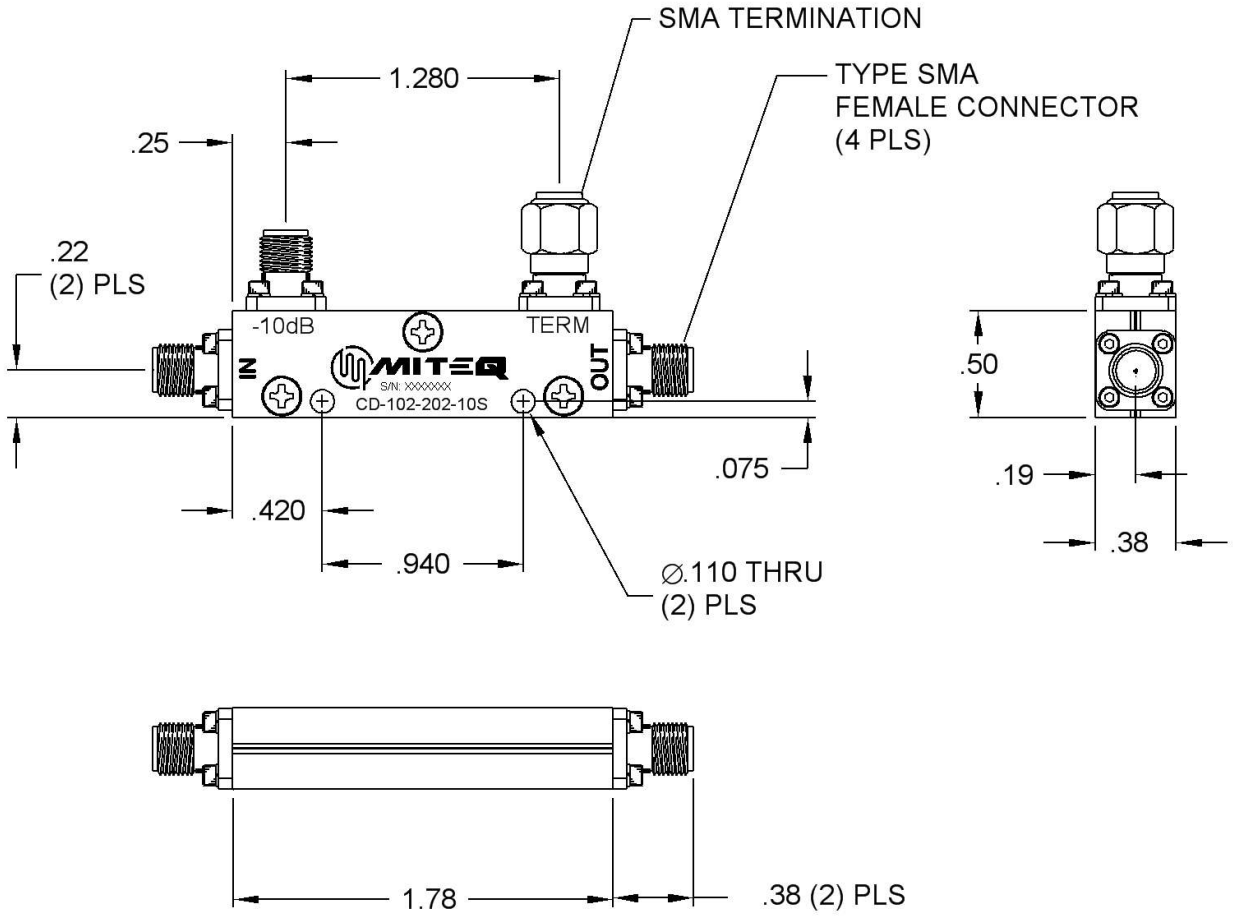
Current Revision

As of 4/4/2011 2:21:37 PM

DWALATA



| DASH NO. | APPLICATION | | REVISIONS | | | |
|----------|-------------|---------|-----------|------------------------|----------|------------|
| | NEXT ASSY | USED ON | LTR | DESCRIPTION | DATE | APPROVED |
| | | | C | Incorporated ECN 19334 | 03/26/11 | J. Campisi |



- NOTES:
1. MATERIAL: ALUM ALLOY 6061-T6.
 2. FINISH: TRIVALENT CHROMATE CONVERSION IAW MIL-DTL-5541, TYPE II, CLASS 3.

| | | | | | |
|---|--------------------------------------|-------------------------|--|---------------------------------|---------------|
| ALL PAGES ARE OF ORIGINAL ISSUE (A) EXCEPT AS NOTED. | CONTR NO. 38POD77 | | 100 Davids Drive, Hauppauge, New York 11788 | | |
| | PREP BY NAME: <i>B. Davidsson</i> | DATE 11/26/11 | | | |
| UNLESS OTHERWISE SPECIFIED DIMENSIONS ARE IN INCHES (MM) TOLERANCES ON DECIMAL ANGLES XXX±.01 XXX±.005 ±0°30' | CHKD BY <i>J. Campisi</i> | DATE 03/31/11 | OUTLINE DRAWING DIRECTIONAL COUPLER CD-102-202-10S | | |
| | PROJ ENGR <i>W. Davidsson</i> | DATE 04/01/11 | | | |
| | MFG ENGR | | SIZE A | CODE IDENT. NO. 33592 | 150609 |
| | Q.A. | | SCALE | REV. C | |