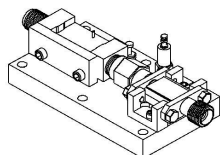
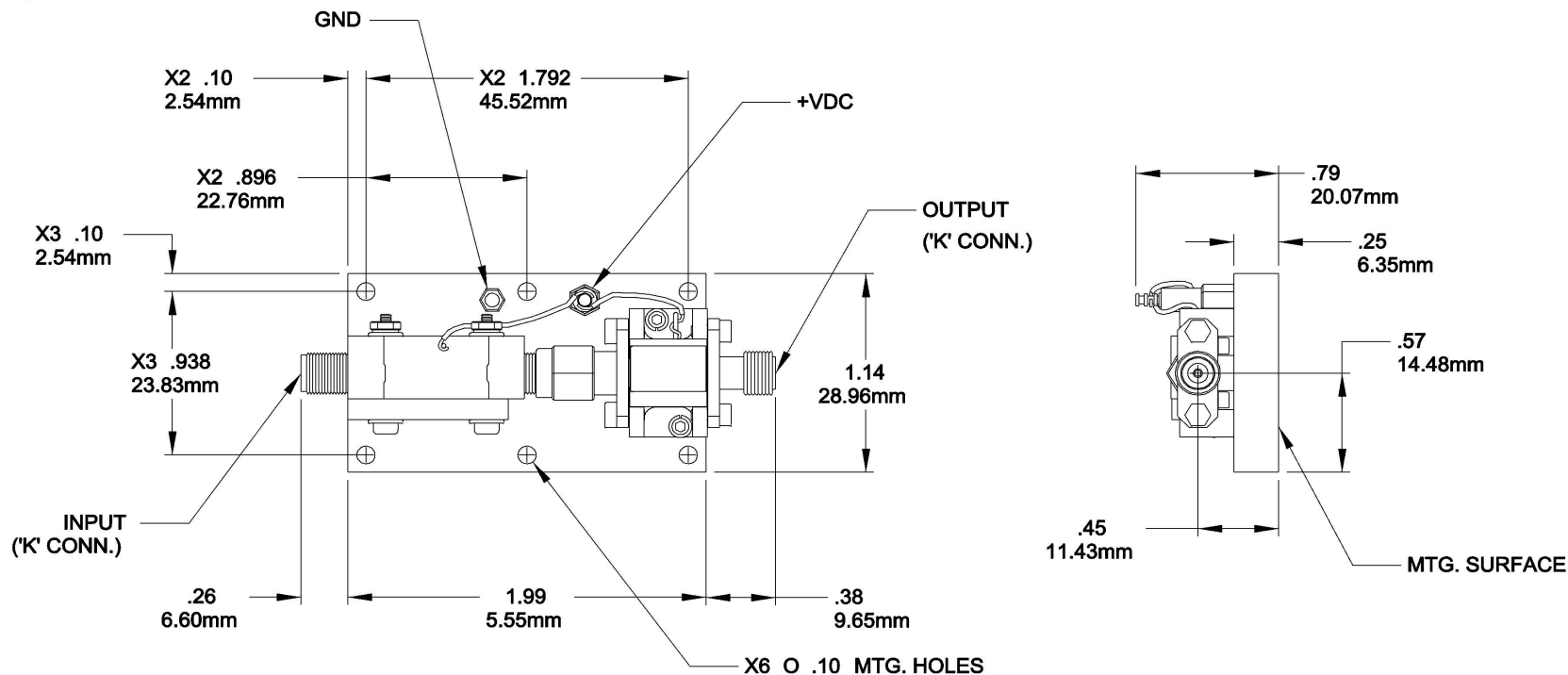


REVISIONS				
ZONE	LTR	DESCRIPTION	DATE	APPROVED
	B	Placeholder for ECN 13286	08/25/09	EJMarly



ISOMETRIC VIEW



NOTE:

- SECONDARY DIMENSIONS ARE IN MILLIMETERS TOLERANCES AS FOLLOWS:  
 .XX = ±.01 (.XX = ±.25mm)  
 .XXX = ±.005 (.XXX = ±.13mm)
- OPTIONS: 'SMA', 'K' OR 'V' TYPE MALE OR FEMALE CONNECTORS IN OUTPUT.

QTY REQ'D		NOMENCLATURE OR DESCRIPTION		SYM/NOTES	PART NO.	CODE IDENT.	ITEM NO.
-5	-4	-3	-2	-1	PARTS LIST		
UNLESS OTHERWISE SPECIFIED DIMENSIONS ARE IN INCHES TOLERANCES ON				DRN BY	J. Boudreau	DATE	09/16/02
DECIMALS .XX±.01 ANGLES .XXX±.005 ±0°30'				CHKD BY	EJMarly	DATE	08/25/09
MATERIAL				APPROVED BY			
FINISH				PRJ ENGR	N. Shakh	DATE	08/25/09
MTG PLATE				MFG ENGR			
MECH. ASSY.				G.A.			
NEXT ASSY				USED ON			
APPLICATION				HEAT TREAT			
SIZE		CODE IDENT. NO		REV.			
C		33592		147321		B	
SCALE		REF		SHEET 1		OF 1	