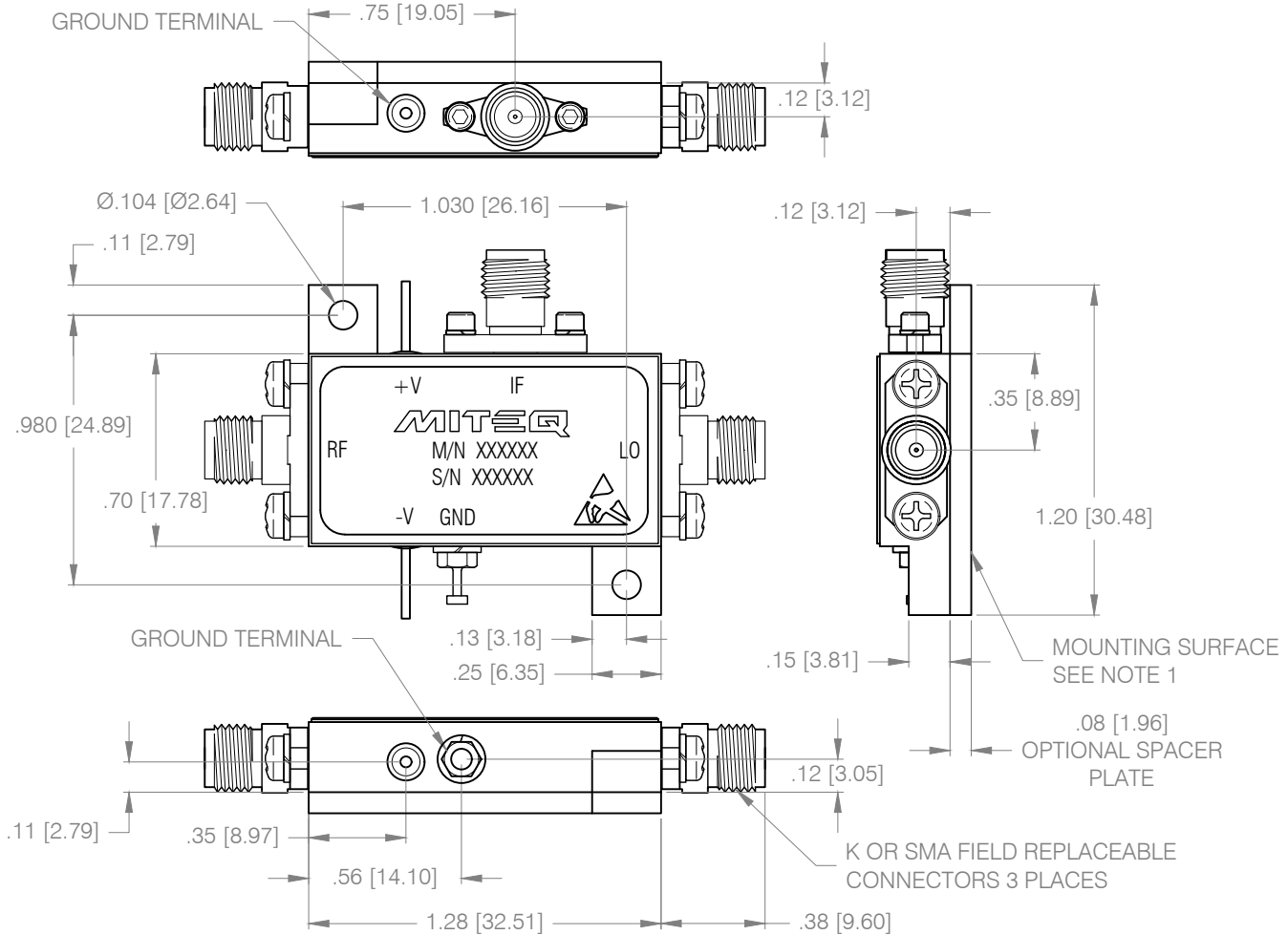


DASH NO.	APPLICATION		REVISIONS			
	NEXT ASSY	USED ON	LTR	DESCRIPTION	DATE	APPROVED
	144729 LABEL	144696 SPACER	C	Incorporate ECN 41074	06/14/18	RS
	144677 COVER	144497 HOUSING	PRINT NOT ON AUTOMATIC DISTRIBUTION VERIFY REVISION PRIOR TO USE			



NOTE

1. UNIT'S MOUNTING SURFACE SHALL BE ATTACHED TO A HEAT SINK CAPABLE OF DISSIPATING THE DEVICES POWER CONSUMPTION WITHOUT EXCEEDING THE OPERATING TEMPERATURE LIMITS.
2. DIMENSIONS IN BRACKETS ARE IN MM



THESE ITEM(S)/TECHNOLOGY CONTAIN INFORMATION SUBJECT TO U.S. GOVERNMENT EXPORT CONTROL IN ACCORDANCE WITH THE EXPORT ADMINISTRATION REGULATIONS (EAR), 15 CFR PARTS 730-744. EXPORT OF THIS DATA TO ANY FOREIGN COUNTRY OR DISCLOSURE OF THIS DATA TO ANY NON-US PERSON MAY BE A VIOLATION OF FEDERAL LAW.

Narda-MITEQ PROPRIETARY

THIS DOCUMENT CONTAINS INFORMATION WHICH IS PROPRIETARY TO Narda-MITEQ. THE CONTENTS SHALL NOT BE DISCLOSED, COPIED, DISTRIBUTED, OR USED UNLESS AUTHORIZED BY AN OFFICER OF Narda-MITEQ. UNLESS

UNLESS OTHERWISE SPECIFIED DIMENSIONS ARE IN INCHES TOLERANCES ON	NAME	DATE
	DWN <i>D.LoCicero</i>	03/07/02
DECIMAL .X ±0.1 [2.5] DECIMAL .XX ±0.01 [0.25] DECIMAL .XXX ±0.005 [0.13] ANGLES X° ±30'	DFT DES	06/14/18
	PROJ ENGR <i>J. Zafonte</i>	06/21/18
PROJECTION	MFG ENGR	
	Q.C.	
	CUST	

narda MITEQ

435 MORELAND RD HAUPPAUGE, NY 11788

**OUTLINE DRAWING
3 PORT MULTIPLIER-MIXER**

SIZE A	CODE IDENT. NO. 99899	144678	REV C
SCALE	PROJECT 75A002	SHEET 1 OF 1	