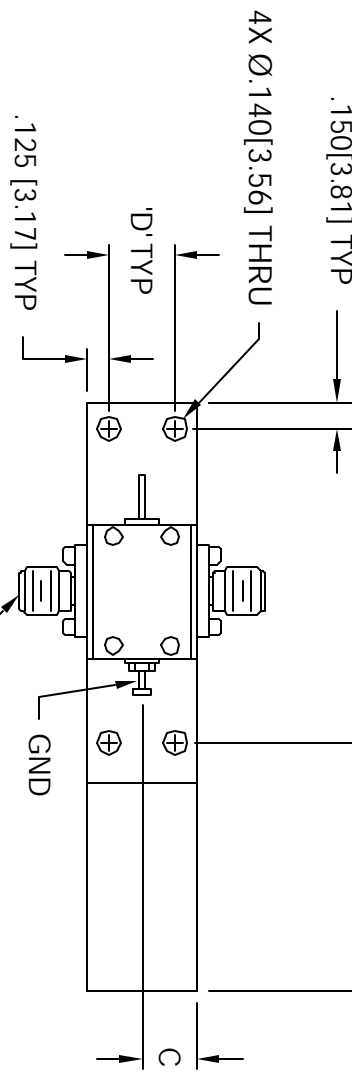
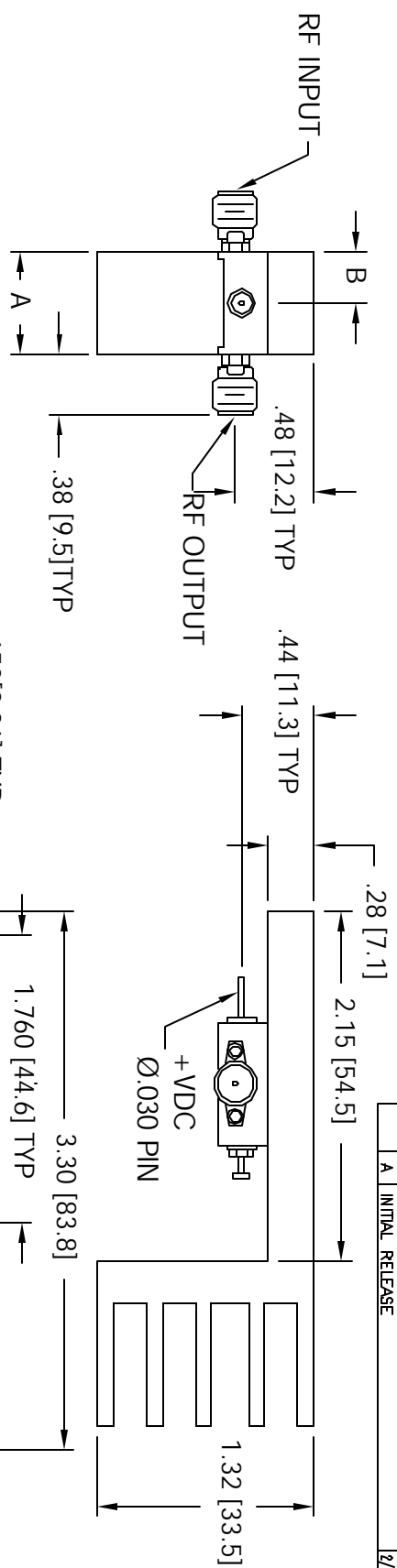


REVISIONS		ZONE LTR	DESCRIPTION	DATE	APPROVED
A	INITIAL RELEASE			2/7/02	<i>David</i>



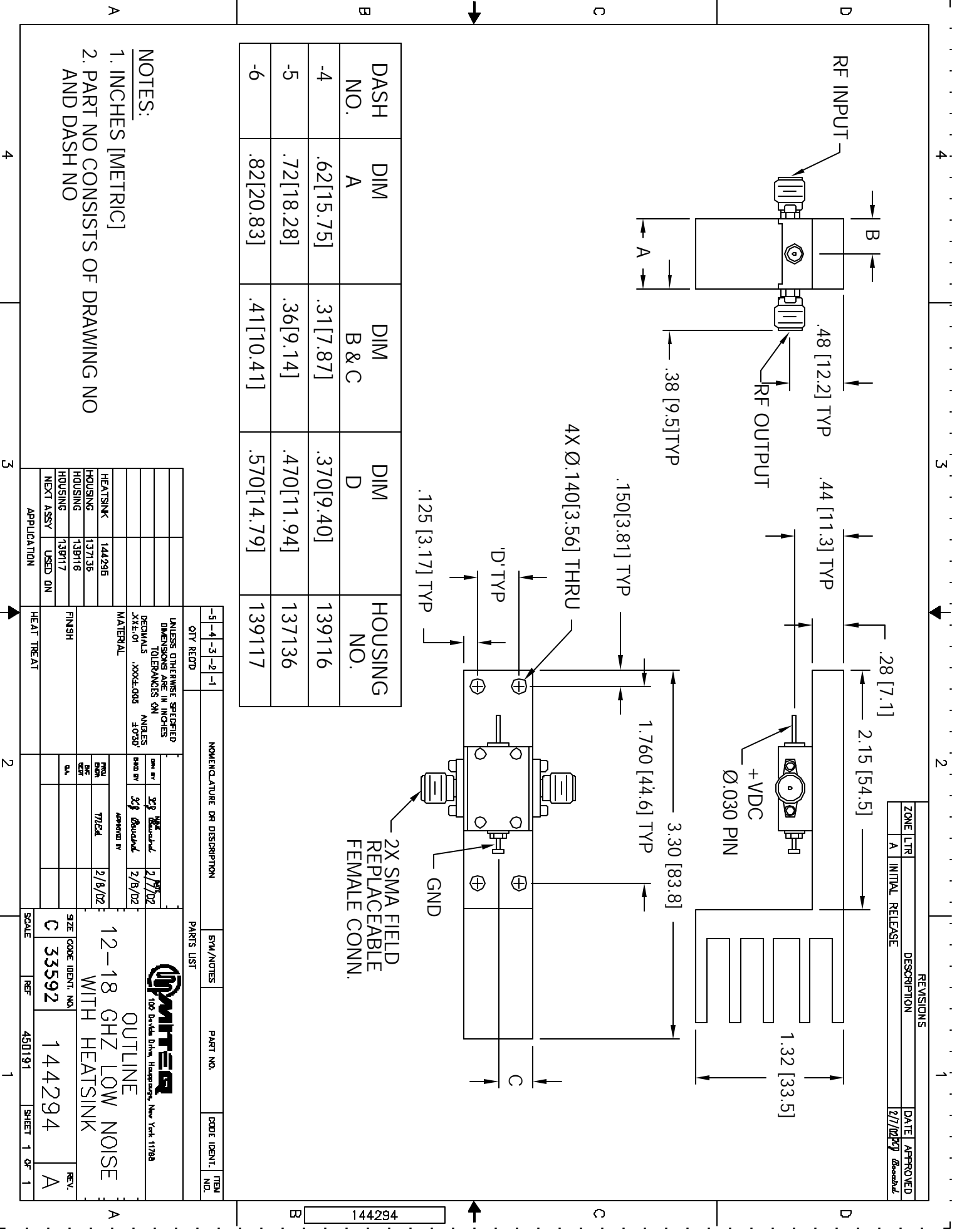
DASH NO.	DIM A	DIM B & C	DIM D	HOUSING NO.
-4	.62 [15.75]	.31 [7.87]	.370 [9.40]	1391116
-5	.72 [18.28]	.36 [9.14]	.470 [11.94]	137136
-6	.82 [20.83]	.41 [10.41]	.570 [14.79]	1391117

QTY REQ'D	REV	DATE	BY	DESCRIPTION	SYM/NOTES	PART NO.	CODE IDENT.	ITEM NO.
-5	-4	-3	-2	-1				

UNLESS OTHERWISE SPECIFIED DIMENSIONS ARE IN INCHES DECIMALS TOLERANCES ON ANGLES X.XE-01 .XXX-XXX E.O.SB		MATERIAL		FINISH		HEAT TREAT	
HEATSINK	144295	HEAT TREAT					
HOUSING	137136						
HOUSING	139116						
HOUSING	139117						
NEXT ASSY	USED ON						
APPLICATION							

NOTES:
 1. INCHES [METRIC]
 2. PART NO CONSISTS OF DRAWING NO AND DASH NO

PARTS LIST		SCALE		REV	
12-18 GHz LOW NOISE WITH HEATSINK	OUTLINE	C	33592	1	44294
				1	A



144294