

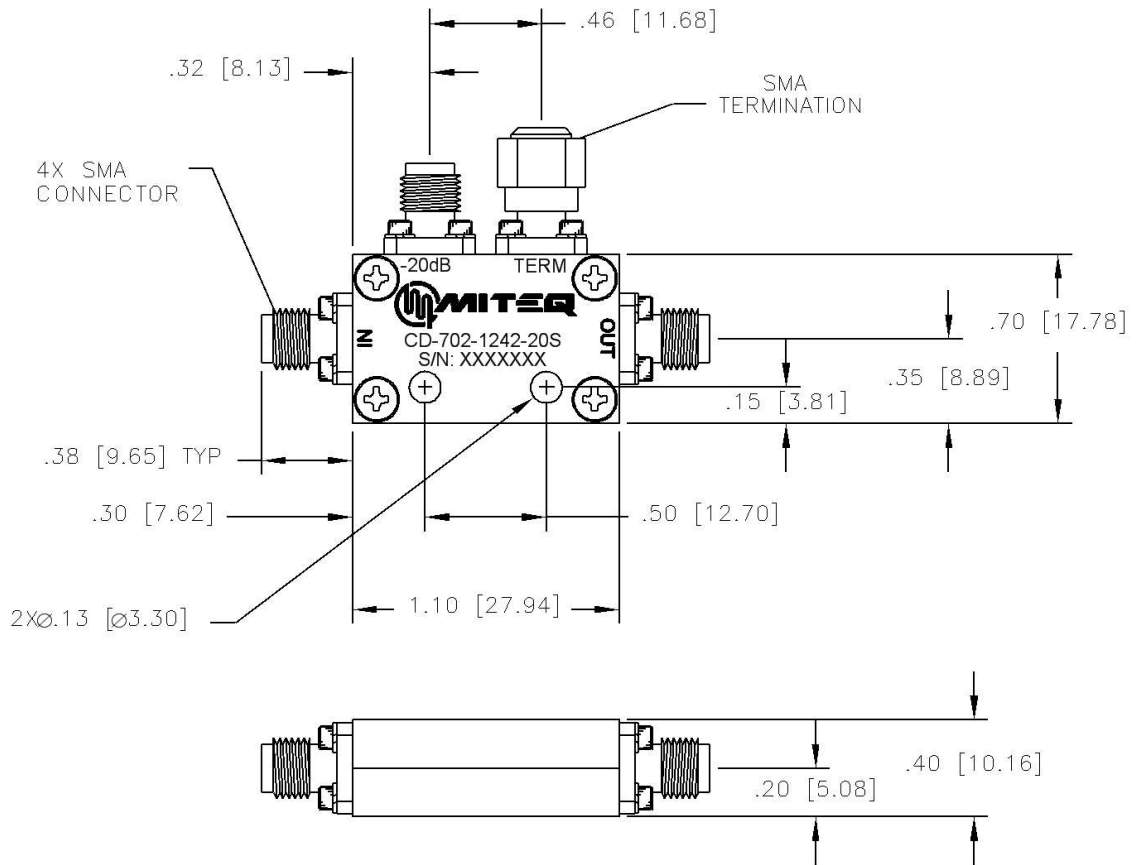
Current Revision

As of 10/22/2010 1:12:33 PM

DWALATA



DASH NO.	APPLICATION		REVISIONS			
	NEXT ASSY	USED ON	LTR	DESCRIPTION	DATE	APPROVED
			E	Incorporated ECN 17584	10/06/10	<i>J. Campisi</i>



NOTE:

1. MATERIAL: ALUMINUM ALLOY 6061-T6
2. FINISH: TRIVALENT CHROMATE CONVERSION IAW MIL-DTL-5541F, TYPE II, CLASS 3.

ALL PAGES ARE OF ORIGINAL ISSUE (A) EXCEPT AS NOTED.	CONTR NO. 12D001		 100 Davids Drive, Hauppauge, New York 11788	
	PREP BY <i>B. HURST</i>	DATE 10/24/01		
UNLESS OTHERWISE SPECIFIED DIMENSIONS ARE IN INCHES TOLERANCES ON DECIMAL ANGLES .XX±.01 .XXX±.005 ±0°30'	CHKD BY <i>J. Campisi</i>	DATE 10/21/10	OUTLINE DRAWING DIRECTIONAL COUPLER CD-702-1242-20S	
	PROJ ENGR <i>W. Davidsson</i>	DATE 10/22/10		
	APPROVAL (PROJ)		SIZE A	CODE IDENT. NO. 143205
	APPROVAL (GOVT)		SCALE	REV. E SHEET OF 1