

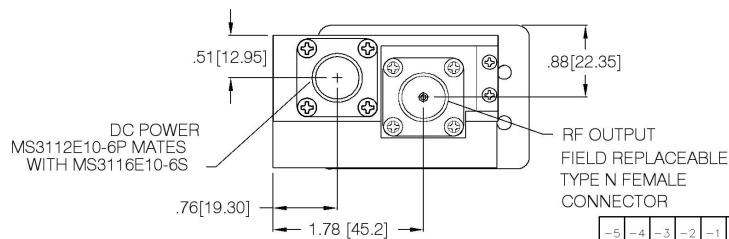
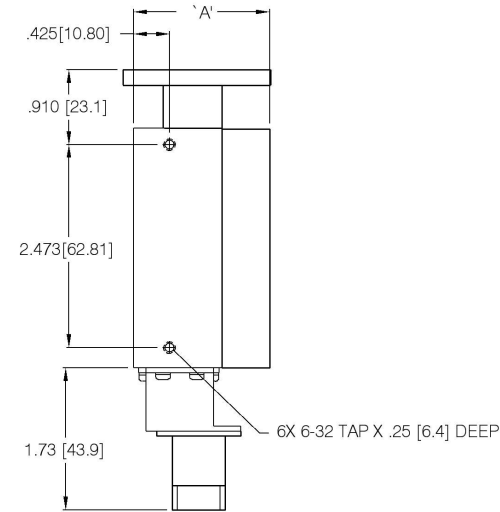
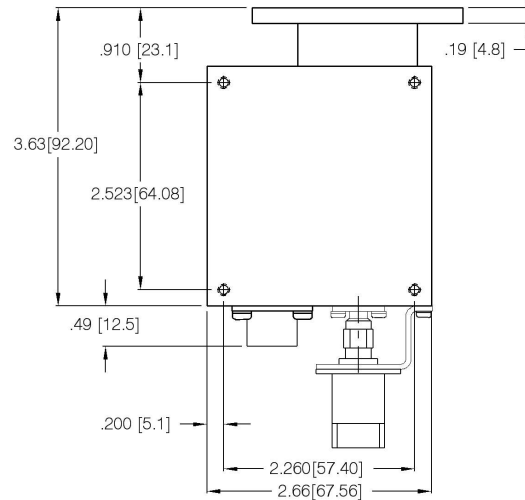
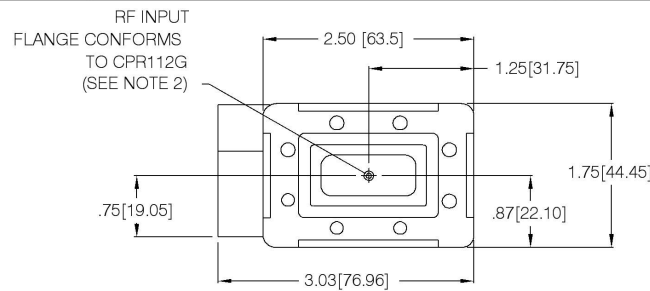
# Current Revision

As of 4/13/2011 7:48:54 AM

DWALATA



REVISIONS				
ZONE	LTR	DESCRIPTION	DATE	APPROVED
B		Incorporated ECN 19514	04/12/11	<i>kg Bernard</i>



DASH NUMBER TABLE		
DASH NO.	DIM. A	DESCRIPTION
-1	1.69 [42.93]	STANDARD AND OPTIONAL MONITOR ALARM
-2	2.40 [60.96]	OPTIONAL POWER SUPPLY AND/OR OPTIONAL MONITOR ALARM

QTY REQ'D	NOMENCLATURE OR DESCRIPTION	SYM/NOTES	PART NO.	CODE IDENT.	ITEM NO.
-5 -4 -3 -2 -1					

UNLESS OTHERWISE SPECIFIED DIMENSIONS ARE IN INCHES TOLERANCES ON		MATERIAL		FINISH		HEAT TREAT		APPLICATION	
DECIMALS	.XX±.01	ANGLES	±0° 30'						
BRN BY	<i>kg Bernard</i>	NAME	<i>kg Bernard</i>	DATE	07/12/01	<p>100 Davids Drive, Hauppauge, New York 11788</p> <p><b>OUTLINE</b></p> <p>X BAND CPR112G INTEGRATED AMP WITH N TYPE CONNECTOR</p>			
CHKD BY	<i>kg Bernard</i>	APPROVED BY	<i>kg Bernard</i>	DATE	04/12/11				
PROJ ENGR	<i>Johanna Espinosa</i>	DATE	04/12/11						
ENG SECT		G.A.				SIZE	CODE IDENT. NO.	142268	REV. B
BRACKET	1260/6					C	33592		
HOUSING	1248/6					SCALE	REF	P106601	SHEET 1 OF 1
NEXT ASSY	USED ON								

**NOTES:**

1. DIMENSIONS SHOWN IN BRACKETS [ ] ARE IN MILLIMETERS.
2. STANDARD UNIT IS AS SHOWN, FLAT FLANGE IS OPTIONAL.

142268