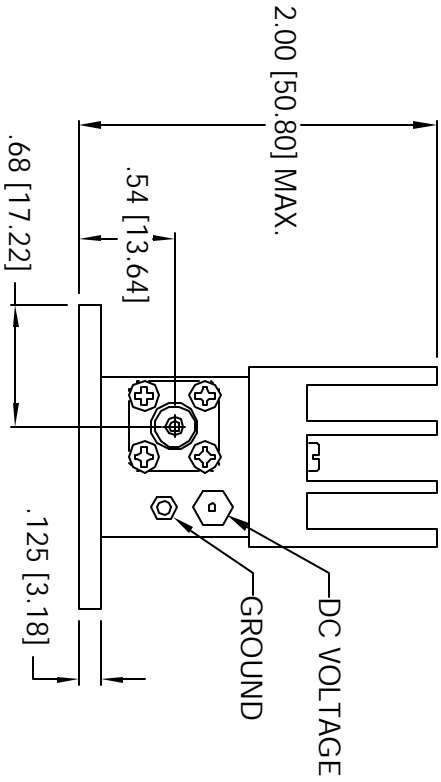
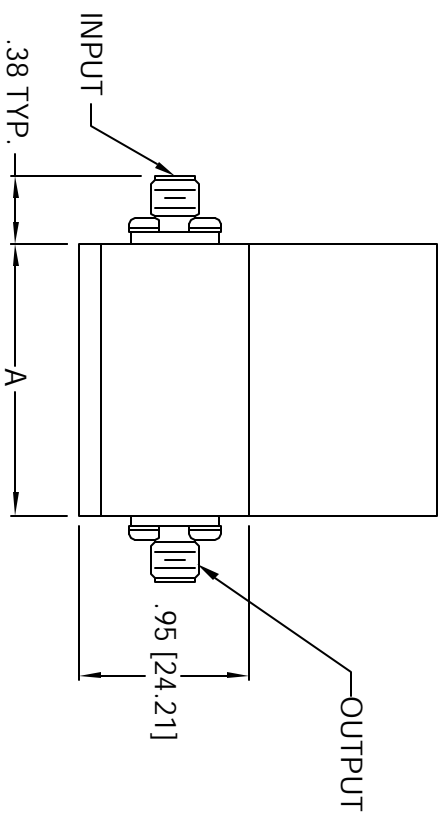
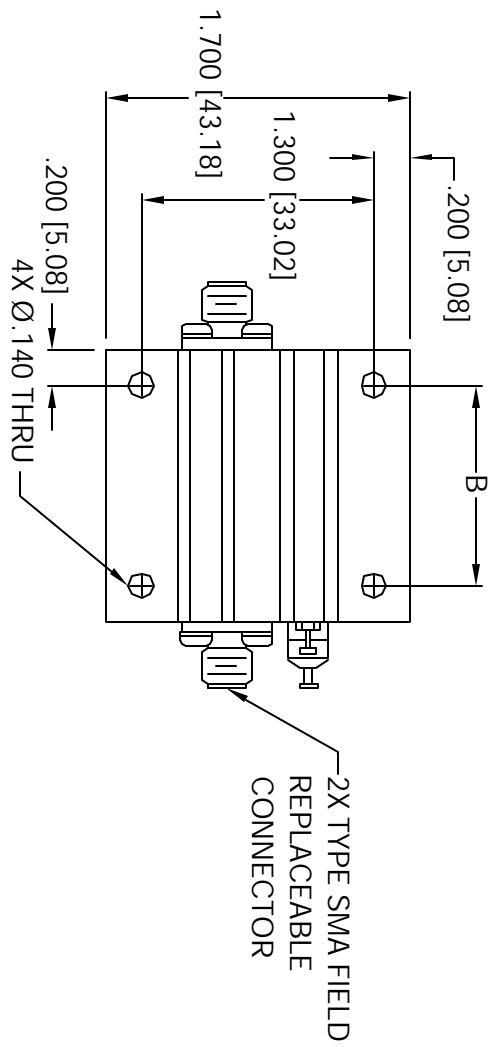


REVISIONS		
ZONE LTR	DESCRIPTION	DATE APPROVED
B	ADDED 150877, 150898	1/11/02 <i>J. Deschard</i>

HOUSING NO.	DASH NO.	DIM A	DIM B
	-1	.92	.52
150888	-2	1.16	.76
150877	-3	1.40	1.00
140833	-4	1.74	1.34
	-5	2.11	1.71
	-6	2.45	2.05
	-7	2.79	2.39
	-8	3.13	2.73



NOTES:

1. MFG PLATE & HEATSINK ARE FIELD REPLACEABLE
2. TYPE N CONNECTOR AVAILABLE AS AN OPTION
3. SIMILAR TO 118406

BASEPLATE	110380
HEATSINK	110363
OUTLINE	141077
NEXT ASSY	USED ON
APPLICATION	HEAT TREAT

-5	-4	-3	-2	-1	QTY REQD	UNLESS OTHERWISE SPECIFIED DIMENSIONS ARE IN INCHES DECIMALS TOLERANCES ON ANGLES	DATE BY	CHK'D BY	DATE BY	APPROVED BY	DATE BY	CHK'D BY	DATE BY	APPROVED BY



BALANCED/DISTRIBUTED
CARRIER BASED AMP W/HEATSINK & MFG PLATE

SIZE [CODE DENT. NO.]	C 33592	141075	REV B
SCALE	REF	450/219	SHEET 1 OF 1

