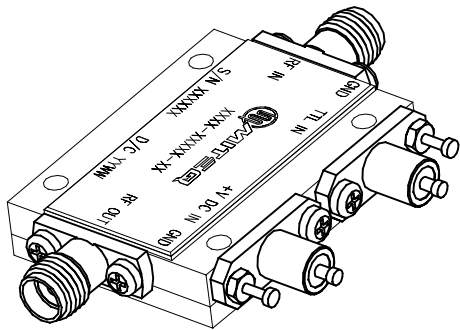
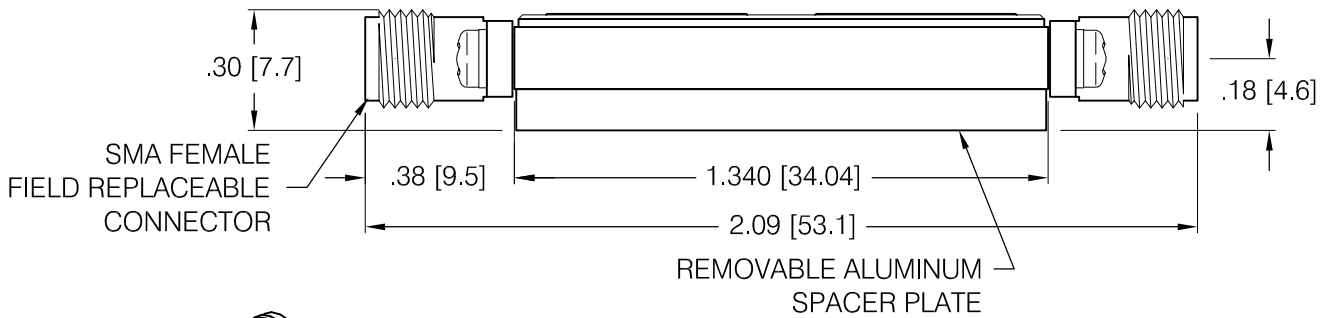
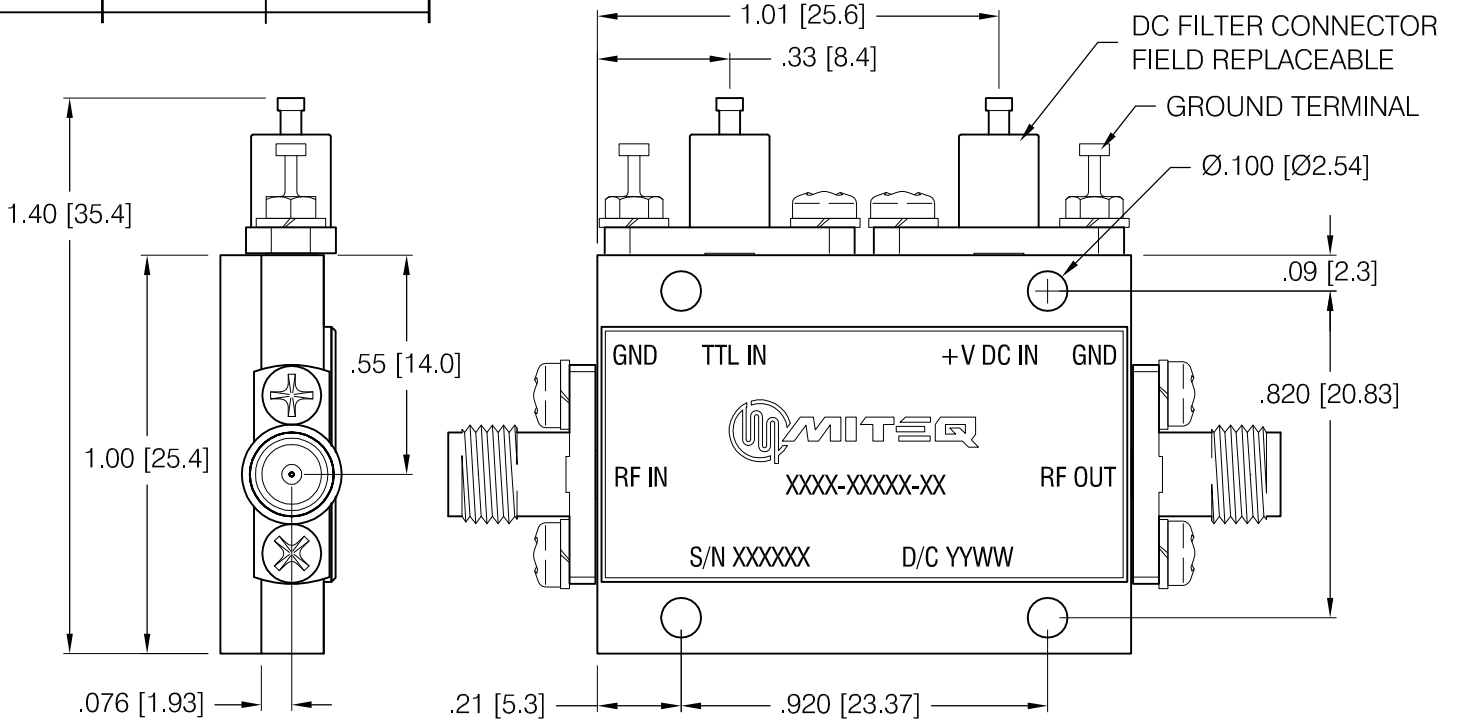



DASH NO.	APPLICATION		REVISIONS			
	NEXT ASSY	USED ON	LTR	DESCRIPTION	DATE	APPROVED
			B	Incorporate ECN 5461	6/20/2007	<i>Ray S</i>



NOTES:

1. DIMENSIONS IN BRACKETS ARE IN MILLIMETER
2. ALL PINS $\varnothing.015$ [$\varnothing.38$] X $.080$ [2.03] LONG
3. HOUSING IS HERMETIC AND MADE OF KOVAR
4. ESTIMATED WEIGHT 1.31 OZ

UNLESS OTHERWISE SPECIFIED DIMENSIONS ARE IN INCHES TOLERANCES ON DECIMAL .X ± 0.1 DECIMAL .XX ± 0.01 DECIMAL .XXX ± 0.005 ANGLES X° $\pm 30'$	NAME	DATE	 100 Davids Drive, Hauppauge, New York 11788			
	DWN BY <i>Ray S</i>	3/3/2001				
	CHK BY <i>Ray S</i>	6/20/2007	DGA SERIES DUAL GAIN TTL CONTROLLED AMPLIFIER OUTLINE			
	PROJ ENGR <i>J. Buonaiuto</i>	6/20/2007				
SECT HEAD		SIZE	CODE IDENT. NO.	141040	REV	
Q.C.		A	33592		B	
CUST		SCALE	PROJECT	SHEET 1 OF 1	1	