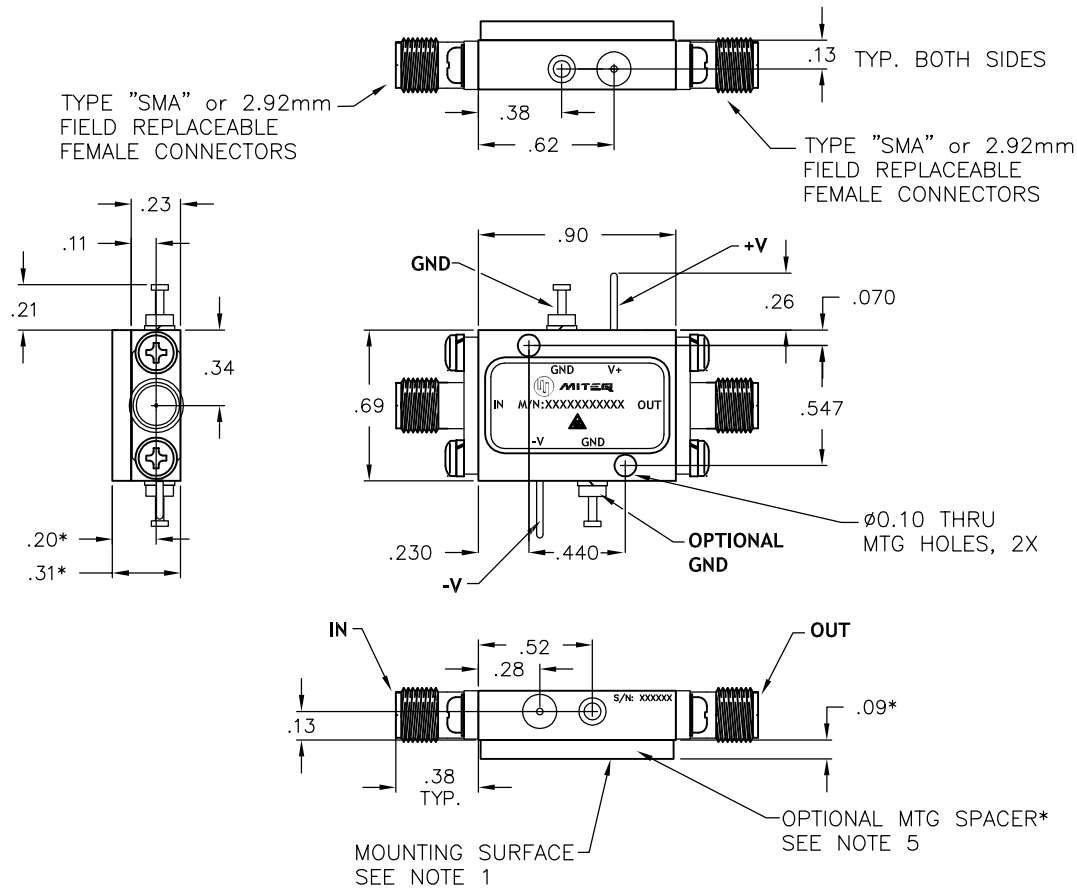


DASH NO.	APPLICATION		REVISIONS			
	NEXT ASSY	USED ON	LTR	DESCRIPTION	DATE	DRAFTING
	141404	MARKING	J	Incorporated ECN 40345	01/16/18	Jeffrey Lewis




NOTES: UNLESS OTHERWISE SPECIFIED;

1. UNIT'S MOUNTING SURFACE SHALL BE ATTACHED TO A HEAT SINK CAPABLE OF DISSIPATING THE DEVICES POWER CONSUMPTION WITHOUT EXCEEDING THE OPERATING TEMPERATURE LIMITS.
2. REFER TO THE ACTUAL DEVICES SPECIFICATION SHEET FOR BIAS REQUIREMENTS. NEGATIVE BIAS INPUT VOLTAGE (V-) MAY NOT BE INCLUDED ON CERTAIN MODELS.
3. UNLESS NOTED ON THE SPECIFICATION SHEET, WHEN NEGATIVE BIAS IS REQUIRED, DO NOT POWER THE UNIT WITH POSITIVE BIAS FOR MORE THAN 1 SECOND WITHOUT NEGATIVE BIAS BEING APPLIED.
4. FINISH: GOLD PER ASTM-B-488 TYPE III CODE A
5. *OPTIONAL SPACER: DIMENSION WITH ASTERISKS [*] INCLUDE SPACER FINISH- TRIVALENT CHROMATE CONVERSION PER MIL-DTL-C-5541, TYPE II, CLASS 3.

L-3 PROPRIETARY

THIS DOCUMENT CONTAINS INFORMATION WHICH IS PROPRIETARY TO L-3 COMMUNICATIONS CORPORATION. THE CONTENTS SHALL NOT BE DISCLOSED, COPIED, DISTRIBUTED OR USED UNLESS AUTHORIZED BY AN OFFICER OF L-3 COMMUNICATIONS

THIS TECHNICAL DATA IS CONTROLLED UNDER THE EXPORT ADMINISTRATION REGULATIONS (EAR) AND MAY NOT BE EXPORTED TO A FOREIGN PERSON, EITHER IN THE U.S. OR ABROAD, WITHOUT PROPER AUTHORIZATION BY THE U.S. DEPARTMENT OF COMMERCE.

ALL PAGES ARE OF ORIGINAL ISSUE (A) EXCEPT AS NOTED.	CONTR. NO. P100311			435 MORELAND ROAD HAUPPAUGE, NY, 11788		
	PREP BY NAME: <i>L. Cardinal</i>	DATE 02/13/01				
UNLESS OTHERWISE SPECIFIED DIMENSIONS ARE IN INCHES (MM) TOLERANCES ON DECIMAL ANGLES .XX±.01 XXX±.005 ±0°30'	DRAFT DESIGN	<i>Jeffrey Lewis</i>	02/20/18	OUTLINE DRAWING Active 2 Port MIC MM PKG		
	PROJ ENGR	<i>J. Zafonte</i>	02/15/18			
	MFG ENGR			SIZE A	CODE IDENT. NO. 33592	140904
	Q.A.			SCALE	REV. J	SHEET 1 OF 1