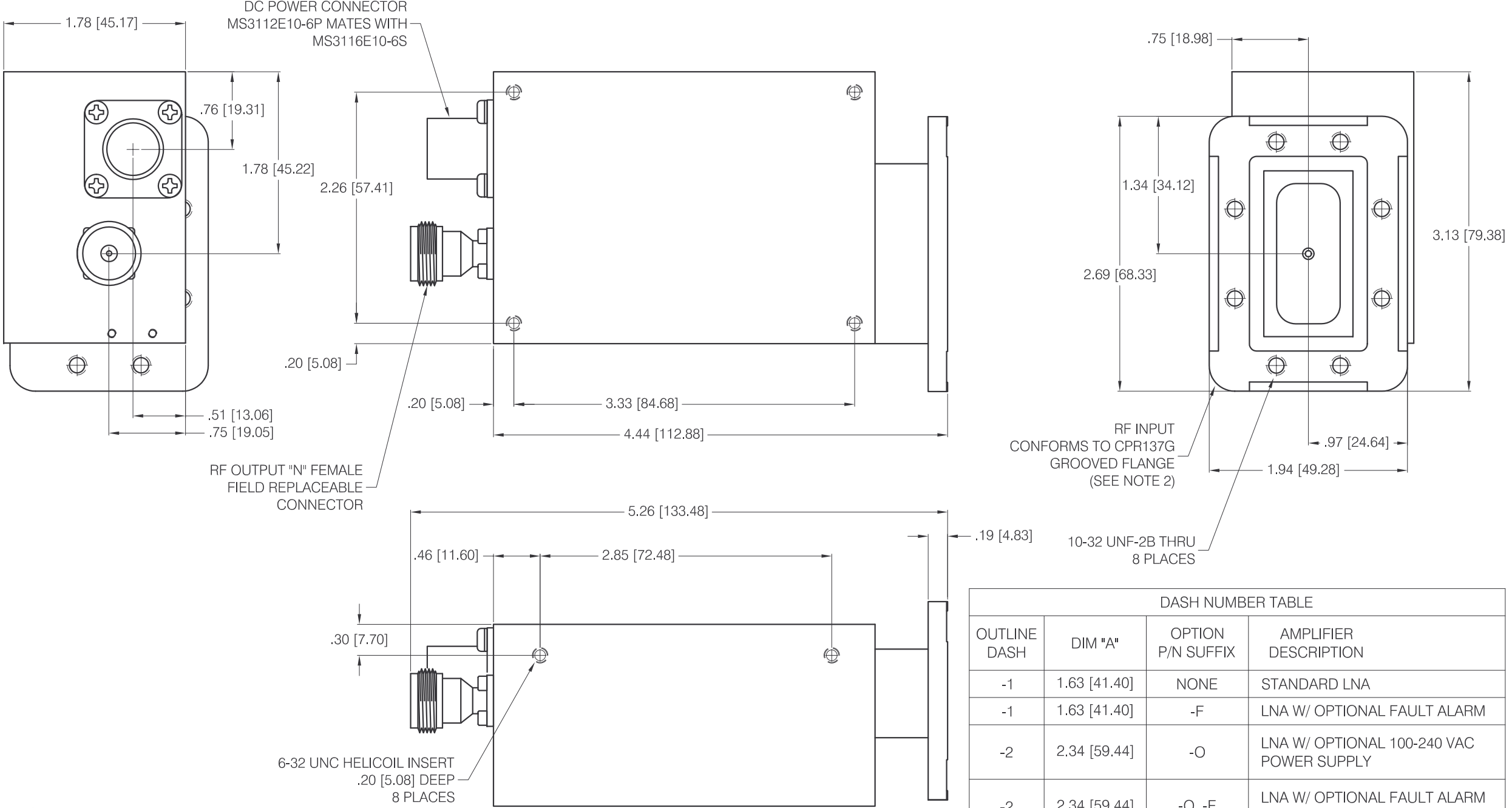


REVISIONS				
ZONE	LTR	DESCRIPTION	DATE	APPROVED
	F	Incorporated ECN 12936	08/04/08	<i>E. Perone</i>



DASH NUMBER TABLE			
OUTLINE DASH	DIM "A"	OPTION P/N SUFFIX	AMPLIFIER DESCRIPTION
-1	1.63 [41.40]	NONE	STANDARD LNA
-1	1.63 [41.40]	-F	LNA W/ OPTIONAL FAULT ALARM
-2	2.34 [59.44]	-O	LNA W/ OPTIONAL 100-240 VAC POWER SUPPLY
-2	2.34 [59.44]	-O, -F	LNA W/ OPTIONAL FAULT ALARM AND 100-240 VAC POWER SUPPLY

- NOTES:
1. METRIC EQUIVALENTS ARE SHOWN IN BRACKETS
  2. STANDARD UNIT AS SHOWN, FLAT FLANGE IS OPTIONAL
  3. SMA FIELD REPLACEABLE CONNECTOR OPTION AVAILABLE.
  4. AS ANS OPTION, A FLAT COVER PLATE CAN BE USED TO REPLACE MULTI-PIN CONN. WHEN BIAS-TEE IS INSTALLED.

		-5	-4	-3	-2	-1	NOMENCLATURE OR DESCRIPTION	SYM/NOTES	PART NO.	CODE IDENT.	ITEM NO.	
		QTY REQ'D					PARTS LIST					
		UNLESS OTHERWISE SPECIFIED DIMENSIONS ARE IN INCHES TOLERANCES ON					DRN BY <i>K.J. Bonnard</i> 08/15/00		 100 Davids Drive, Hauppauge, New York 11788			
		DECIMALS .XX±.01 ANGLES .XXX±.005 ±0°30'					CHKD BY <i>E. Perone</i> 06/10/11					
		MATERIAL					APPROVED BY		<b>OUTLINE</b> <b>AMFW X-BAND UNITS</b> <b>CPR137G</b>			
END LAUNCH		133177						PROJ ENGR <i>John Sepulveda</i> 06/13/11				
END LAUNCH		133176						ENG SECT		SIZE	CODE IDENT. NO.	REV.
HOUSING		139345						Q.A.		C	33592	F
RAIL (FULL)		124565								SCALE	REF	45D219
RAIL (1/2)		124564										SHEET 1 OF 1
COVER-1		133175										
NEXT ASSY		USED ON										
APPLICATION												