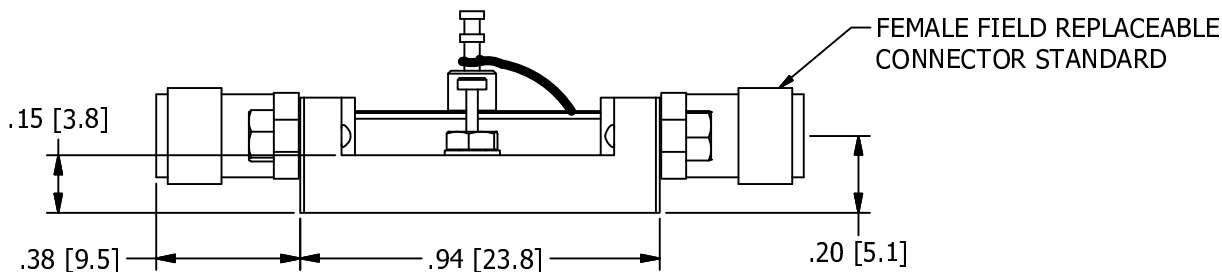
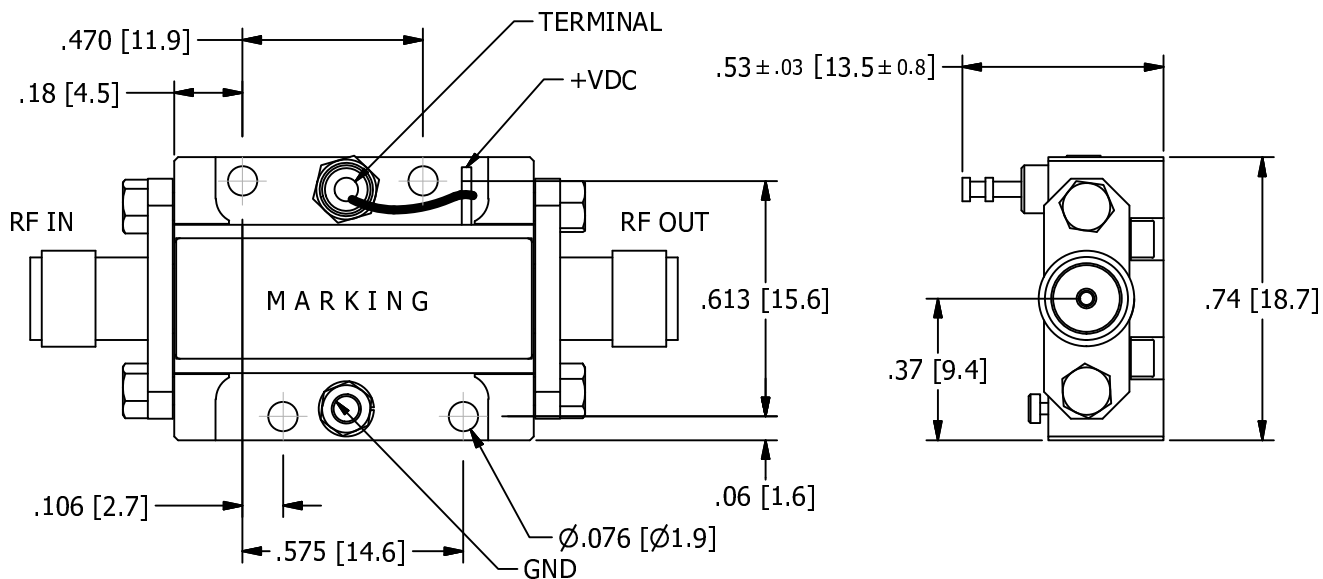




APPLICATION		REVISIONS			
NEXT ASSY	USED ON	LTR	DESCRIPTION	DATE	APPROVED
		F	INCORPORATE ECN 40493	2/6/2018	rw

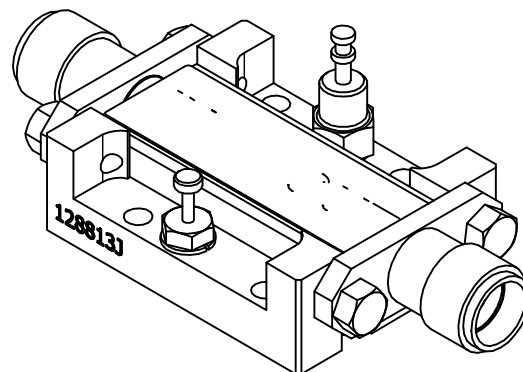


NOTE:

- 1. SECONDARY DIMENSIONS ARE IN MILLIMETERS
- 3. CONNECTOR STANDARD ARE `SMA`, OPTIONAL `K` AND `V` TYPE AVAILABLE
- 4. OPTIONAL: `SMA`, `K`, `V` MALE TYPE CONNECTORS IN EITHER INPUT, OUTPUT OR BOTH.

L-3 PROPRIETARY THIS DOCUMENT CONTAINS INFORMATION WHICH IS PROPRIETARY TO L-3 COMMUNICATIONS CORPORATION. THE CONTENTS SHALL NOT BE DISCLOSED, COPIED, DISTRIBUTED OR USED UNLESS AUTHORIZED BY AN OFFICER OF L-3 COMMUNICATIONS

THIS TECHNICAL DATA IS CONTROLLED UNDER THE EXPORT ADMINISTRATION REGULATIONS (EAR) AND MAY NOT BE EXPORTED TO A FOREIGN PERSON, EITHER IN THE U.S. OR ABROAD, WITHOUT PROPER AUTHORIZATION BY THE U.S. DEPARTMENT OF COMMERCE.



PRINT NOT ON AUTOMATIC DISTRIBUTION
VERIFY REVISION PRIOR TO USE

ALL PAGES ARE OF ORIGINAL ISSUE (A) EXCEPT AS NOTED	DRN BY	NAME	DATE
	CHK BY		
UNLESS OTHERWISE SPECIFIED DIMENSIONS ARE IN INCHES TOLERANCES ON DECIMALS ANGLES .X±.1 .XX±.01 .XXX±.005 ±0°30'	APPROVED BY		
	PROJ ENGR		
	ENG SECT		
	Q.A.		
PROJECTION	CUST APPR		



narda@mitre

435 Moreland Road, Hauppauge, NY, 11788

OUTLINE JSD2 TYPE MODULE
(FEMALE CONN IN & OUT)

SIZE	CODE INDENT	DRAWING NUMBER	REV
A	33592	135997	F
SCALE 2:1	REF	SHEET 1 OF 1	

