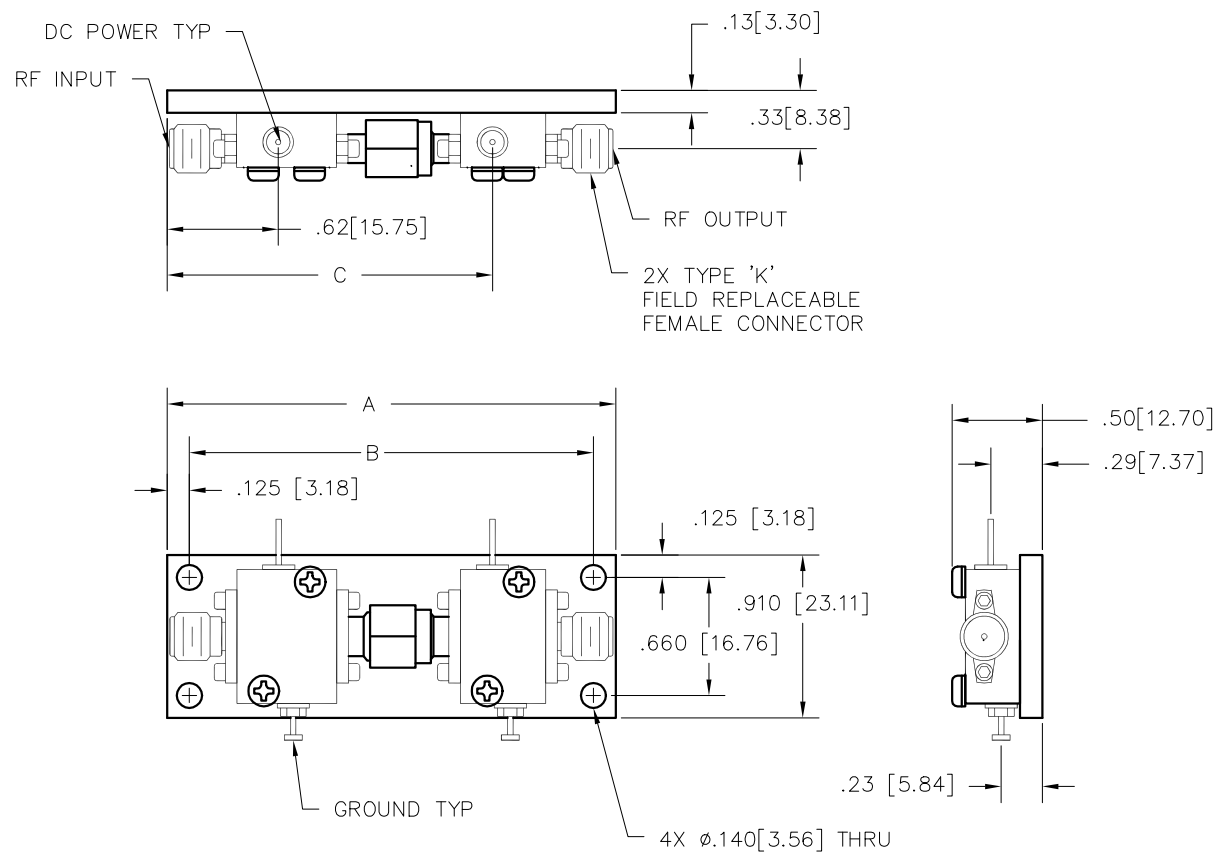


REVISIONS				
ZONE	LTR	DESCRIPTION	DATE	APPROVED
	A	INITIAL RELEASE	10/27/99	JRC



NOTES:
1. METRIC EQUIVALENTS ARE IN PARENTHESES
2. PART NO CONSISTS OF DRAWING NO. & DASH NO.

DASH NO. TABLE				
DASH NO	HOUSING	A	B	C
-3	4X3	2.51[63.75]	2.259[57.38]	1.82[46.23]
-4	4X4	2.59[65.78]	2.339[59.41]	1.87[47.50]

-5	-4	-3	-2	-1	NOMENCLATURE OR DESCRIPTION	SYM/NOTES	PART NO.	CODE IDENT.	ITEM NO.
					UNLESS OTHERWISE SPECIFIED DIMENSIONS ARE IN INCHES TOLERANCES ON DECIMALS .XX±.01 .XXX±.005 ANGLES ±0°30'	DRN BY <i>JC</i> NAME <i>Bovard</i> DATE 10/27/99	 100 Davids Drive, Hauppauge, New York 11788 OUTLINE 18+ GHz AMPLIFIER AMF SERIES [4X3] [4X4]		
					MATERIAL	CHKD BY <i>JRC</i> DATE 11/20/99			
					FINISH	APPROVED BY <i>MEA</i> DATE 11/30/99			
					HEAT TREAT	G.A.			
					BASEPLATE 135811		SIZE	CODE IDENT. NO.	REV.
					HOUSING 128062[3]		C	33592	A
					HOUSING 128063[4]		SCALE	REF	P90497
					NEXT ASSY USED ON				SHEET 1 OF 1
					APPLICATION	DEPT 45			

135810