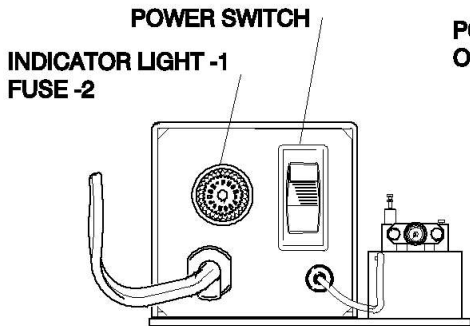
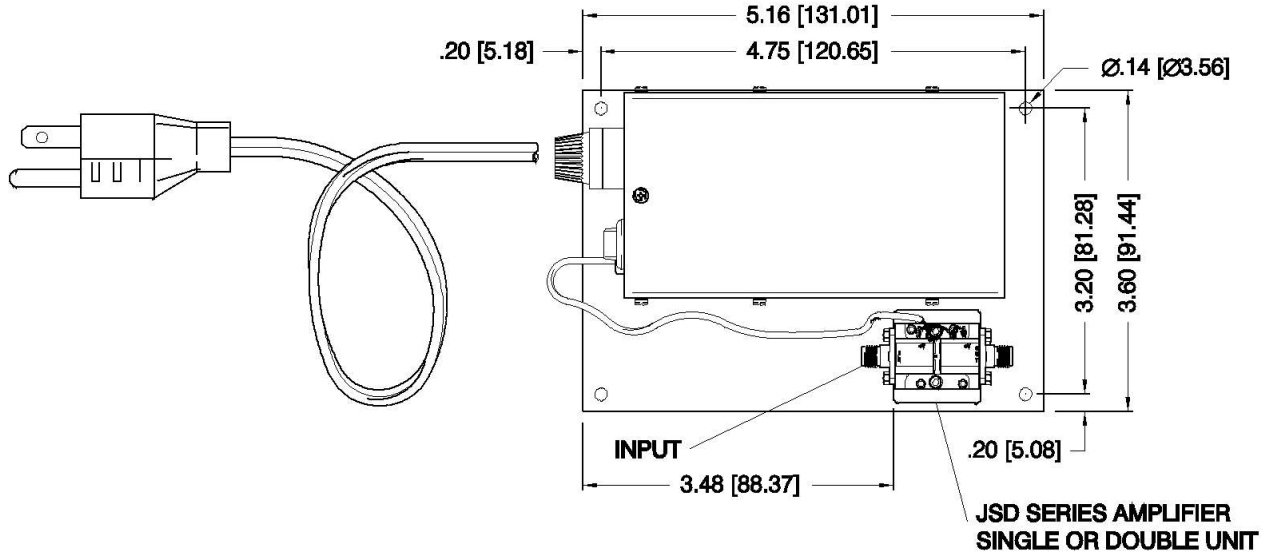
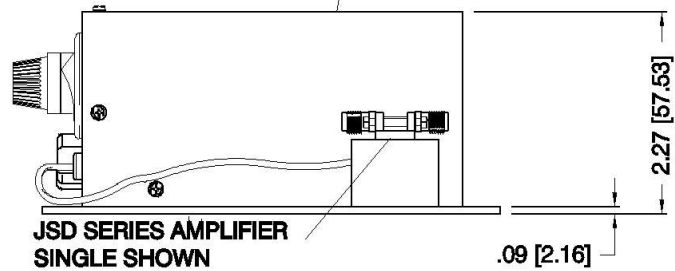


DASH NO.	APPLICATION		REVISIONS			
	NEXT ASSY	USED ON	LTR	DESCRIPTION	DATE	APPROVED
	132461		C	Incorporate ECN 24316	08/16/12	<i>R. Scherer</i>



POWER SUPPLY INPUT 100V TO 240 VAC  
OUTPUT 15.0VDC



NOTES

1. CONNECTOR AS SHOWN, SMA FEMALE OPTIONAL AS 'SMA', 'K' OR 'V', MALE IN EITHER INPUT, OUTPUT OR BOTH

UNLESS OTHERWISE SPECIFIED DIMENSIONS ARE IN INCHES TOLERANCES ON	NAME	DATE	 100 Davids Drive, Hauppauge, New York 11788			
	DWN BY <i>E. Marty</i>	03/10/98				
	DECIMAL .X ±0.1 DECIMAL .XX ±0.01 DECIMAL .XXX ±0.005 ANGLES X° ±30°	CHK BY <i>R. Scherer</i>	08/16/12	<b>JSD TYPE POWER SUPPLY OUTLINE</b>		
		PROJ ENGR <i>N. Shaikh</i>	09/06/12			
	SECT HEAD		SIZE	CODE IDENT. NO.		REV
	Q.C.		A	33592	132460	C
	CUST		SCALE	PROJECT	SHEET	OF
					1	1