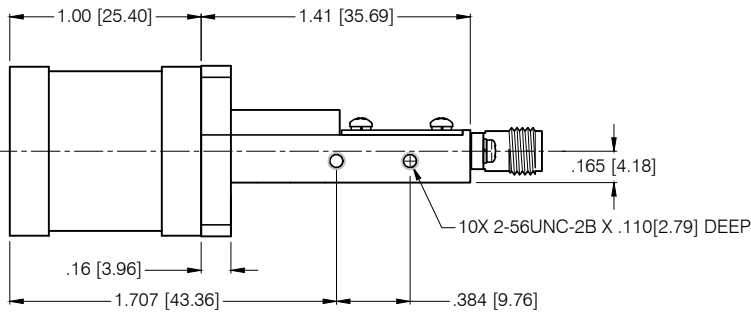
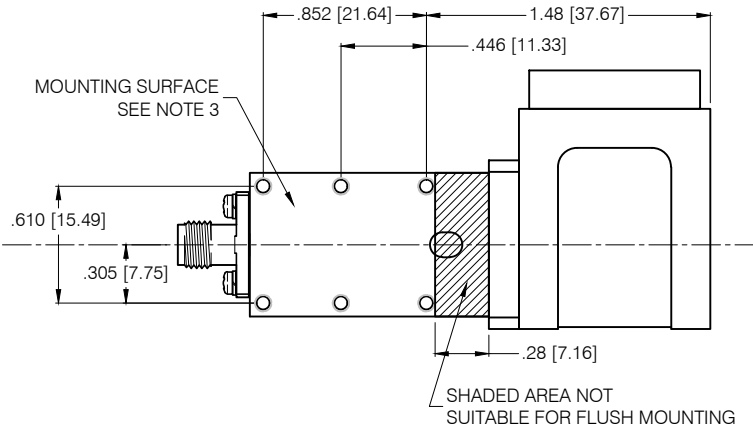
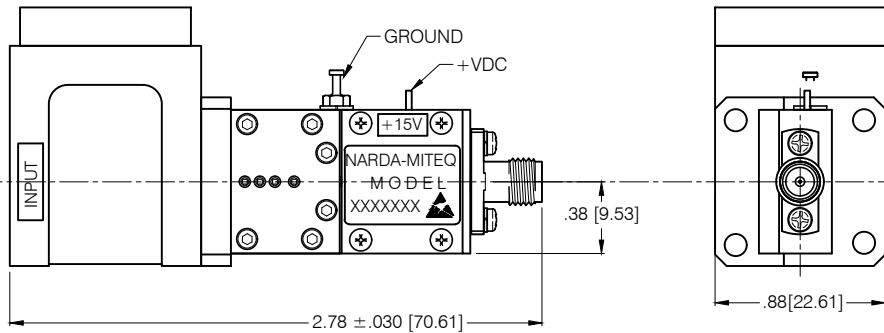
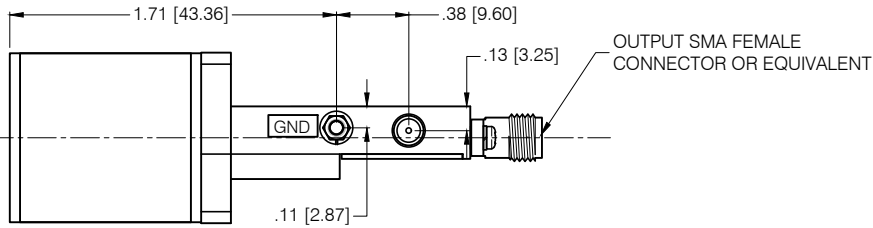
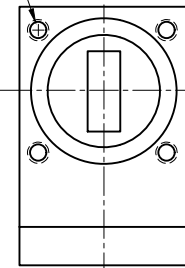


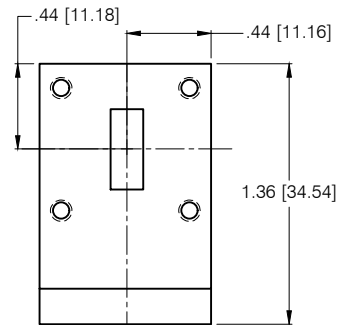
REVISIONS				
ZONE	LTR	DESCRIPTION	DATE	APPROVED
	J	Incorporated ECN 50605	06/07/20	<i>L. Kauller</i>



4X 4-40UNC-2B X .17 [4.32] DP



INPUT FLANGE -2 CONFORMS WITH WR42 GROOVED FLANGE



INPUT FLANGE -1 CONFORMS WITH WR42 COVER FLANGE

DASH NO.	FLANGE TYPE
-1	COVER
-2	GROOVED

PRINT NOT ON AUTOMATIC DISTRIBUTION VERIFY REVISION PRIOR TO USE

- NOTES
- METRIC EQUIVALENTS ARE IN PARENTHESES.
 - EXTERIOR FINISH POLYURETHANE PAINT MIL-PRF-85285, S/G REFRIGERATOR WHITE.
 - MOUNTING SURFACE AND WAVEGUIDE FLANGE TO BE FREE OF PAINT.

217964

<p>L-3 PROPRIETARY</p> <p>THIS DOCUMENT CONTAINS INFORMATION WHICH IS PROPRIETARY TO L-3 COMMUNICATIONS CORPORATION. THE CONTENTS SHALL NOT BE DISCLOSED, COPIED, DISTRIBUTED OR USED UNLESS AUTHORIZED BY AN OFFICER OF L-3 COMMUNICATIONS.</p>	<p>UNLESS OTHERWISE SPECIFIED DIMENSIONS ARE IN INCHES TOLERANCES ON</p> <p>DECIMALS .XX ± .01 .XXX ± .005</p> <p>ANGLES ± 0°30'</p>	<p>DRAWN <i>KJB</i> DATE 05/20/99</p> <p>DRAFT DESIGN <i>L. Kauller</i> 08/14/20</p>	<p>narda MITEQ</p> <p>435 Moreland Rd. Hauppauge, New York 11788</p>	
	<p>PROJECTION </p> <p>MATERIAL</p> <p>FINISH</p>	<p>APPROVED BY</p> <p>PROJ ENGR <i>Joseph Buonaiuto</i> 08/14/20</p> <p>MFG ENGR</p> <p>O.A. <i>R. Zalowski</i> 08/14/20</p>	<p>OUTLINE</p> <p>AMPLIFIER W/INPUT ISOLATOR</p> <p>17-26.5 GHz WR42</p>	
<p>THIS TECHNICAL DATA IS CONTROLLED UNDER THE EXPORT ADMINISTRATION REGULATIONS (EAR) AND MAY NOT BE EXPORTED TO A FOREIGN PERSON, EITHER IN THE U.S. OR ABROAD, WITHOUT PROPER AUTHORIZATION BY THE U.S. DEPARTMENT OF COMMERCE.</p>	<p>AUTOCAD FILE FORMAT</p>	<p>SIZE C</p> <p>CODE IDENT. NO. 33592</p> <p>SCALE</p>	<p>REF</p> <p>131596</p>	<p>REV. J</p> <p>SHEET 1 OF 1</p>

131596



AUTOCAD 05/20/18