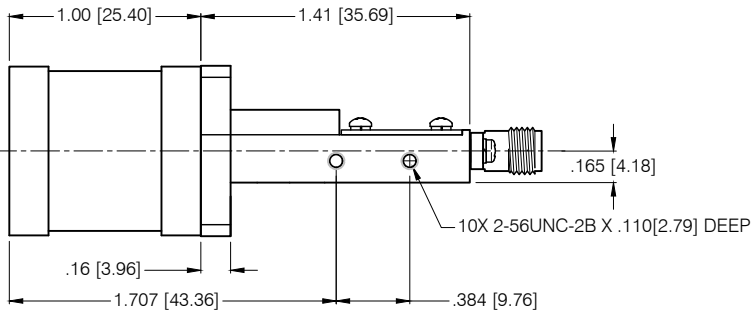
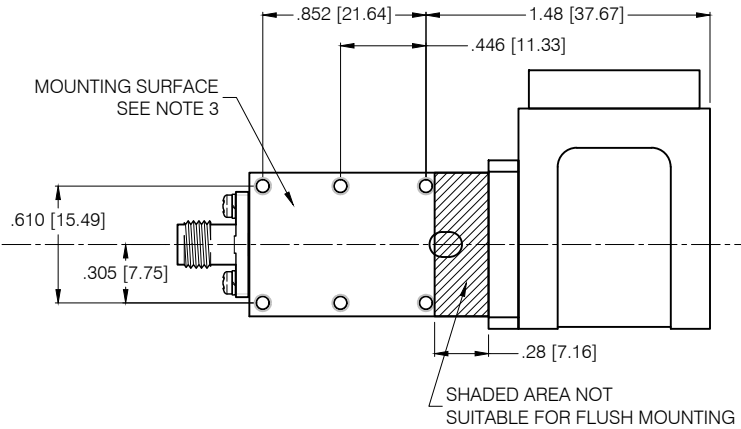
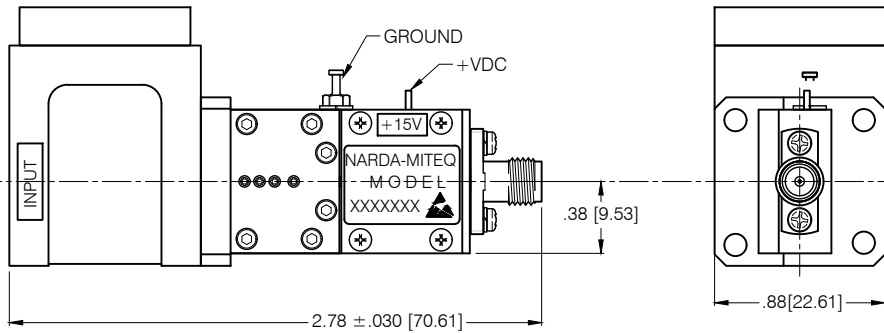
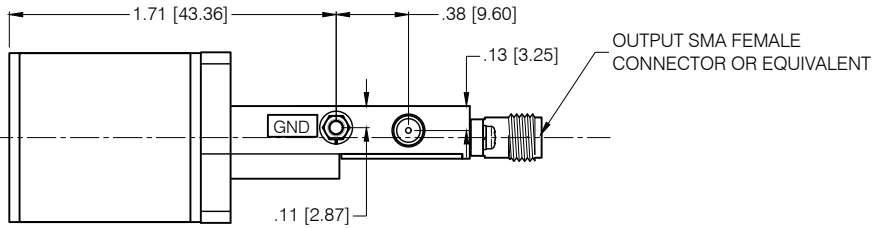
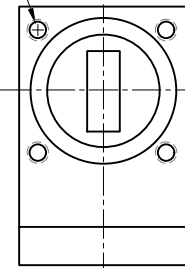


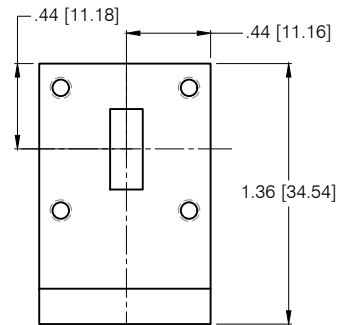
REVISIONS				
ZONE	LTR	DESCRIPTION	DATE	APPROVED
	J	Incorporated ECN 50605	06/07/21	L. KamMer



4X 4-40UNC-2B X .17 [4.32] DP



INPUT FLANGE -2 CONFORMS WITH WR42 GROOVED FLANGE



INPUT FLANGE -1 CONFORMS WITH WR42 COVER FLANGE

DASH NO.	FLANGE TYPE
-1	COVER
-2	GROOVED

PRINT NOT ON AUTOMATIC DISTRIBUTION VERIFY REVISION PRIOR TO USE

NOTES

- METRIC EQUIVALENTS ARE IN PARENTHESES.
- EXTERIOR FINISH POLYURETHANE PAINT MIL-PRF-85285, S/G REFRIGERATOR WHITE.
- MOUNTING SURFACE AND WAVEGUIDE FLANGE TO BE FREE OF PAINT.

Narda-MITEQ PROPRIETARY THIS DOCUMENT CONTAINS INFORMATION WHICH IS PROPRIETARY TO Narda-MITEQ. THE CONTENTS SHALL NOT BE DISCLOSED, COPIED, DISTRIBUTED, OR USED UNLESS AUTHORIZED BY AN OFFICER OF Narda-MITEQ.		UNLESS OTHERWISE SPECIFIED DIMENSIONS ARE IN INCHES TOLERANCES ON DECIMALS .XX ± .01 .XXX ± .005 ANGLES ± 0°30'		 435 MORELAND RD HAUPPAUGE, NY 11788	
THESE ITEM(S)/TECHNOLOGY CONTAIN INFORMATION SUBJECT TO U.S. GOVERNMENT EXPORT CONTROL IN ACCORDANCE WITH THE EXPORT ADMINISTRATION REGULATIONS (EAR), 15 CFR PARTS 730-744. EXPORT OF THIS DATA TO ANY FOREIGN COUNTRY OR DISCLOSURE OF THIS DATA TO ANY NON-US PERSON MAY BE A VIOLATION OF FEDERAL LAW.		PROJECTION		DRAWN NAME KJB DATE 05/20/99 DRAFT DESIGN L. KamMer 08/14/20	
217964 NEXT ASSY USED ON		MATERIAL		APPROVED BY PROJ ENGR Joseph Buonaiuto 08/14/20 MFG ENGR O.A. R. Zalewski 08/14/20	
APPLICATION		FINISH		SIZE CODE IDENT. NO. REV. C 99899 131596 J	
		AUTOCAD FILE FORMAT		SCALE REF SHEET 1 OF 1	

131596



AUTOCAD 15.2021