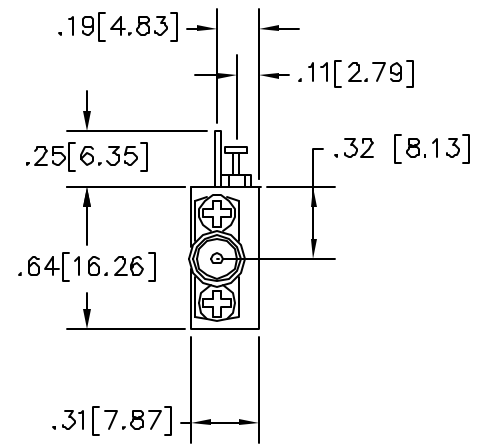
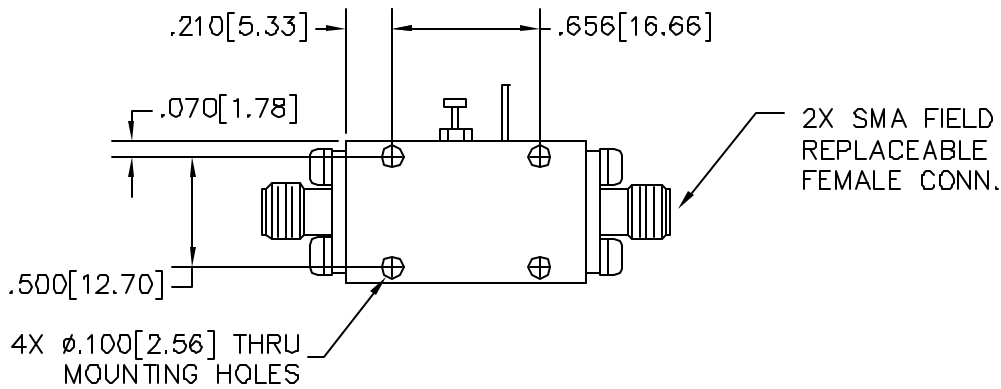
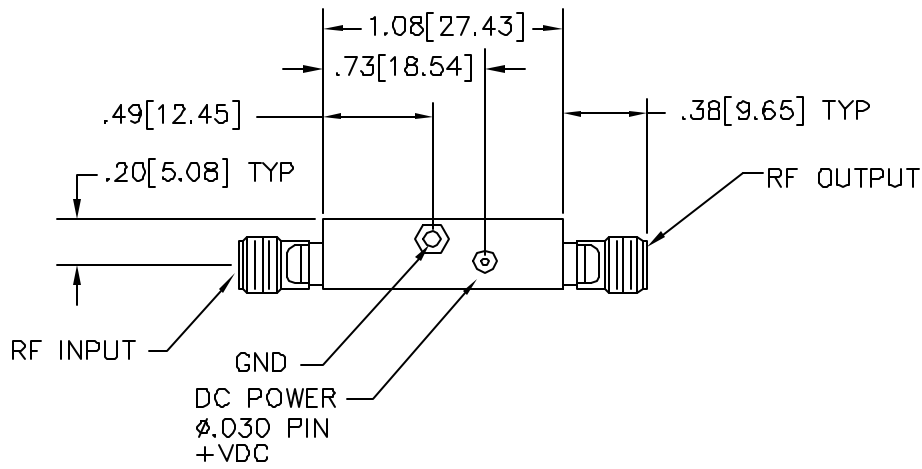


REVISIONS				
ZONE	LTR	DESCRIPTION	DATE	APPROVED
	B	UPDATED FORMAT	4/17/2007	Bovaird



NOTES:

1. METRIC EQUIVALENTS ARE IN PARENTHESES.

-5		-4		-3		-2		-1		NOMENCLATURE OR DESCRIPTION	BY/NOTES	PART NO.	CODE IDENT.	ITEM NO.					
QTY REQD										PART'S LIST									
UNLESS OTHERWISE SPECIFIED DIMENSIONS ARE IN INCHES TOLERANCES ON										 100 Charles Drive, Hauppauge, New York 11788 OUTLINE AMF 2 - 20 GHZ AMPLIFIER									
DIMENSIONAL		ANGLES		MATERIAL		FINISH		NEXT ASSY							USED ON		APPLICATION		
300±.01		300±.010		±.010															
MATERIAL										APPROVED BY		 100 Charles Drive, Hauppauge, New York 11788 OUTLINE AMF 2 - 20 GHZ AMPLIFIER							
FINISH										ME A 4/19/2007									
NEXT ASSY										USED ON									
APPLICATION										SCALE		REF		450191		SHEET 1 OF 1			
MATERIAL										APPROVED BY		SIZE		CODE IDENT. NO.		REV.			
FINISH										ME A 4/19/2007		C		33592		B			
NEXT ASSY										USED ON		SCALE		REF		450191		SHEET 1 OF 1	
APPLICATION										SCALE		REF		450191		SHEET 1 OF 1			

R:\AUTOCAD\131000\131500\A31588B.DWG, 04/23/2007 10:02:44 AM, maibert

131588