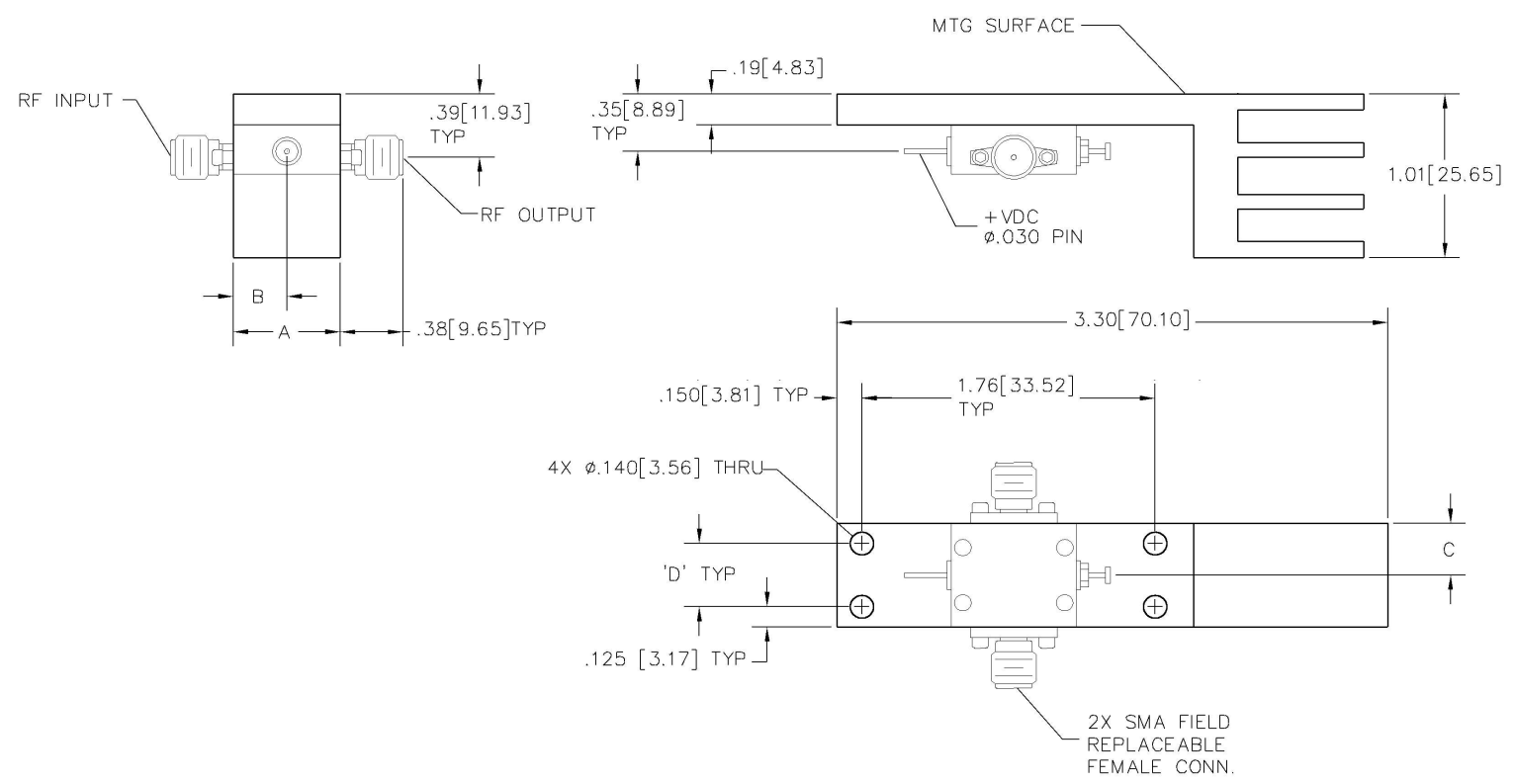


REVISIONS				
ZONE	LTR	DESCRIPTION	DATE	APPROVED
	A	INITIAL RELEASE	10/30/97	



DASH NO.	DIM A	DIM B	DIM C	DIM D	HOUSING NO.
-5	.64[16.25]	.32[8.13]	.32[8.13]	.340[8.64]	128064
-6	.72[18.28]	.40[10.16]	.36[9.14]	.421[10.69]	128065

NOTES:-

- METRIC EQUIVALENTS ARE IN PARENTHESES.
- PART NO CONSISTS OF DRAWING NO AND DASH NO

-5	-4	-3	-2	-1	NOMENCLATURE OR DESCRIPTION	SYM/NOTES	PART NO.	CODE IDENT.	ITEM NO.
QTY REQ'D					PARTS LIST				
UNLESS OTHERWISE SPECIFIED DIMENSIONS ARE IN INCHES TOLERANCES ON					 100 Davids Drive, Hauppauge, New York 11788				
DECIMALS .XX±.01 ANGLES ±0°30'					DPN BY: <i>Xg</i> NAME: <i>Rosmond</i> DATE: 10/30/97 CHKD BY: _____ APPROVED BY: _____ PROJ ENGR: _____ ENG SECT: _____ G.A.: _____				
MATERIAL					OUTLINE AMF 18+ GHz AMPLIFIERS WITH HEATSINK - 5 & 6 STG				
FINISH					SIZE: C CODE IDENT. NO.: 33592 131584 REV. A				
APPLICATION					HEAT TREAT SCALE: 2:1 REF /450191 SHEET 1 OF 1				

131584