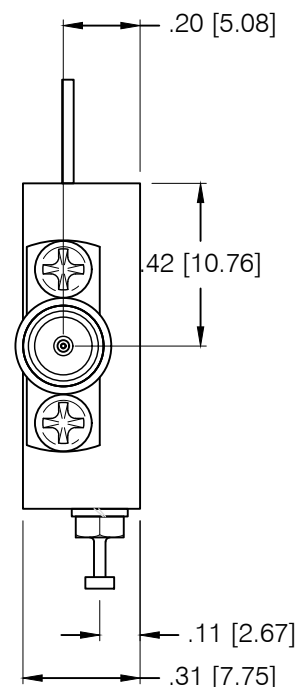
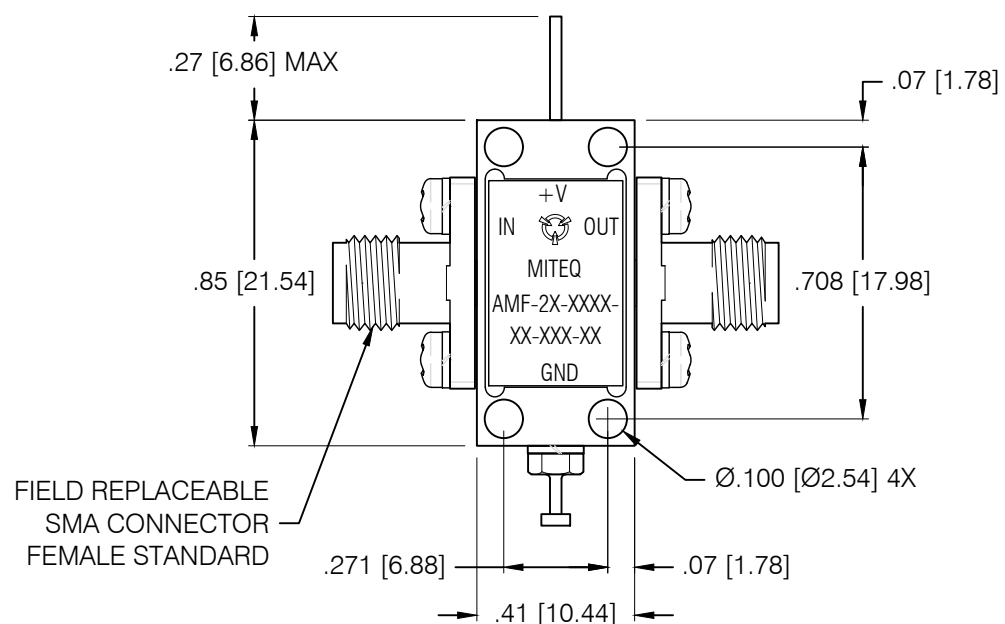
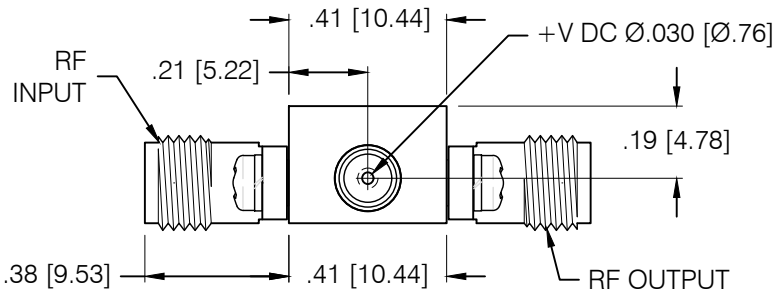


DASH NO.	APPLICATION		REVISIONS			
	NEXT ASSY	USED ON	LTR	DESCRIPTION	DATE	APPROVED
	131576		F	INCORPORATE ECN 37511	03/21/17	<i>rs</i>
PRINT NOT ON AUTOMATIC DISTRIBUTION VERIFY REVISION PRIOR TO USE						



THESE ITEM(S)/TECHNOLOGY CONTAIN INFORMATION SUBJECT TO U.S. GOVERNMENT EXPORT CONTROL IN ACCORDANCE WITH THE EXPORT ADMINISTRATION REGULATIONS (EAR), 15 CFR PARTS 730-744. EXPORT OF THIS DATA TO ANY FOREIGN COUNTRY OR DISCLOSURE OF THIS DATA TO ANY NON-US PERSON MAY BE A VIOLATION OF FEDERAL LAW.

METRIC EQUIVALENTS ARE BRACKETS

Narda-MITEQ PROPRIETARY
 THIS DOCUMENT CONTAINS INFORMATION WHICH IS PROPRIETARY TO Narda-MITEQ. THE CONTENTS SHALL NOT BE DISCLOSED, COPIED, DISTRIBUTED, OR USED UNLESS AUTHORIZED BY AN OFFICER OF Narda-MITEQ. UNLESS



UNLESS OTHERWISE SPECIFIED DIMENSIONS ARE IN INCHES TOLERANCES ON	NAME	DATE
DECIMAL .X ±0.1 [2.5] DECIMAL .XX ±0.01 [0.25] DECIMAL .XXX ±0.005 [0.13] ANGLES X° ±30'	DWN <i>W.J. Bovaird</i>	10/04/97
	DFT DES <i>rs</i>	03/21/17
	PROJ ENGR <i>R. Syed</i>	03/21/17
PROJECTION	MFG ENGR	
	Q.C.	
	CUST	

narda MITEQ

435 MORELAND RD HAUPPAUGE, NY 11788

OUTLINE
 AMF SERIES - 2 STAGE
 3-10 GHz AMPLIFIER

SIZE A	CODE IDENT. NO. 99899	131580	REV F
SCALE	PROJECT	SHEET 1 OF 1	