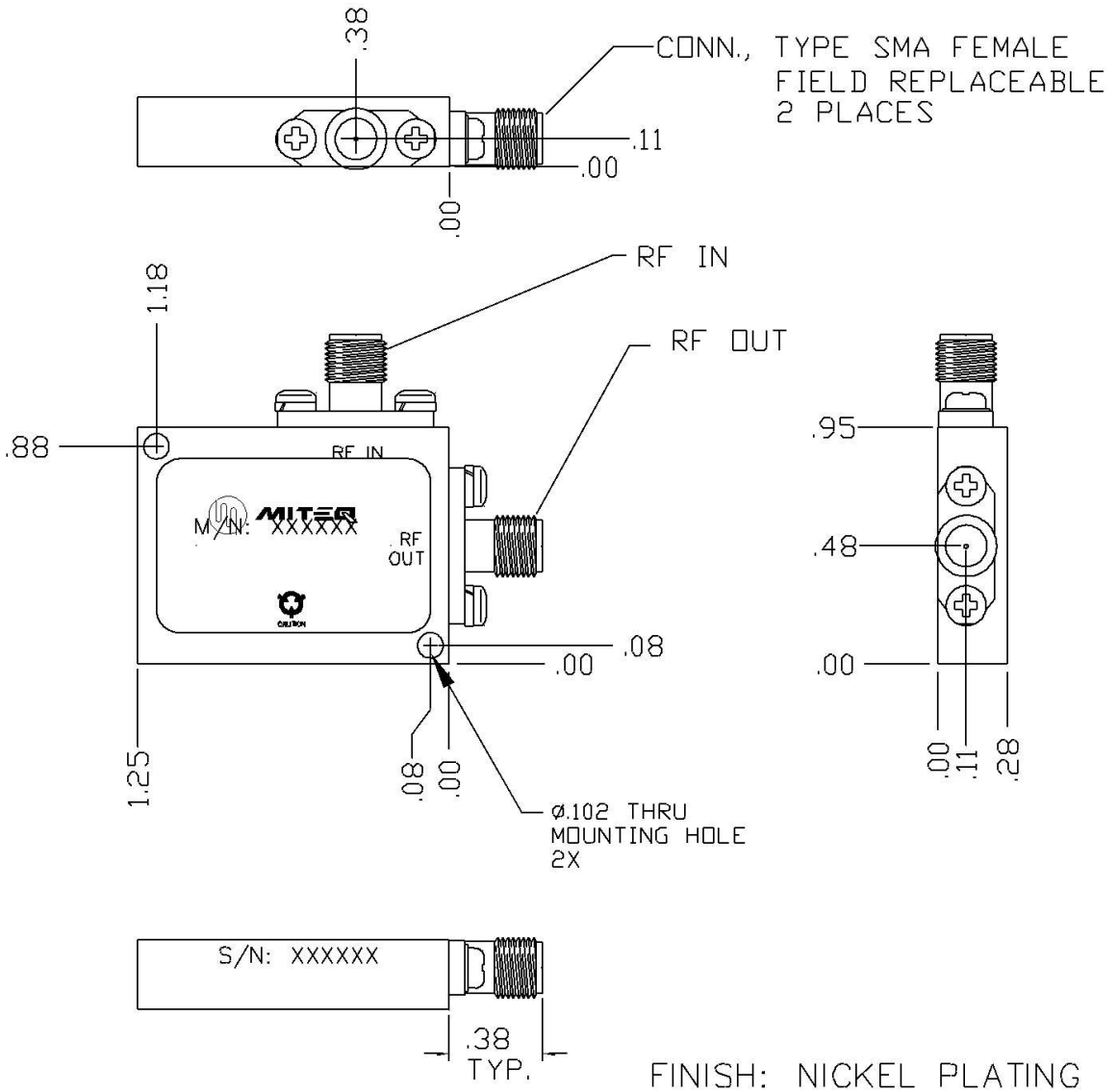


DASH NO.	APPLICATION		REVISIONS			
	NEXT ASSY	USED ON	LTR	DESCRIPTION	DATE	APPROVED
			D	ADD MISSING .38 TYP DIM. AND REDRAW	1/6/2006	L. Cardinal
			D	AND REDRAWN		



ALL PAGES ARE OF ORIGINAL ISSUE (A) EXCEPT AS NOTED.	CONTR NO.		 100 Davids Drive, Hauppauge, New York 11788	
	PREP BY	DATE		
UNLESS OTHERWISE SPECIFIED DIMENSIONS ARE IN INCHES (MM) TOLERANCES ON DECIMAL ANGLES .XX±.01 XXX±.005 ±0°30'	CHKD BY	DATE	OUTLINE DRAWING MX2M...Series M1 PKG	
	BY			
	PROJ ENGR	DATE	SIZE	CODE IDENT. NO.
	APPROVAL (PROJ)		A	33592
APPROVAL (GOVT)		SCALE	REV. D	131369
			SHEET 1 OF 1	1