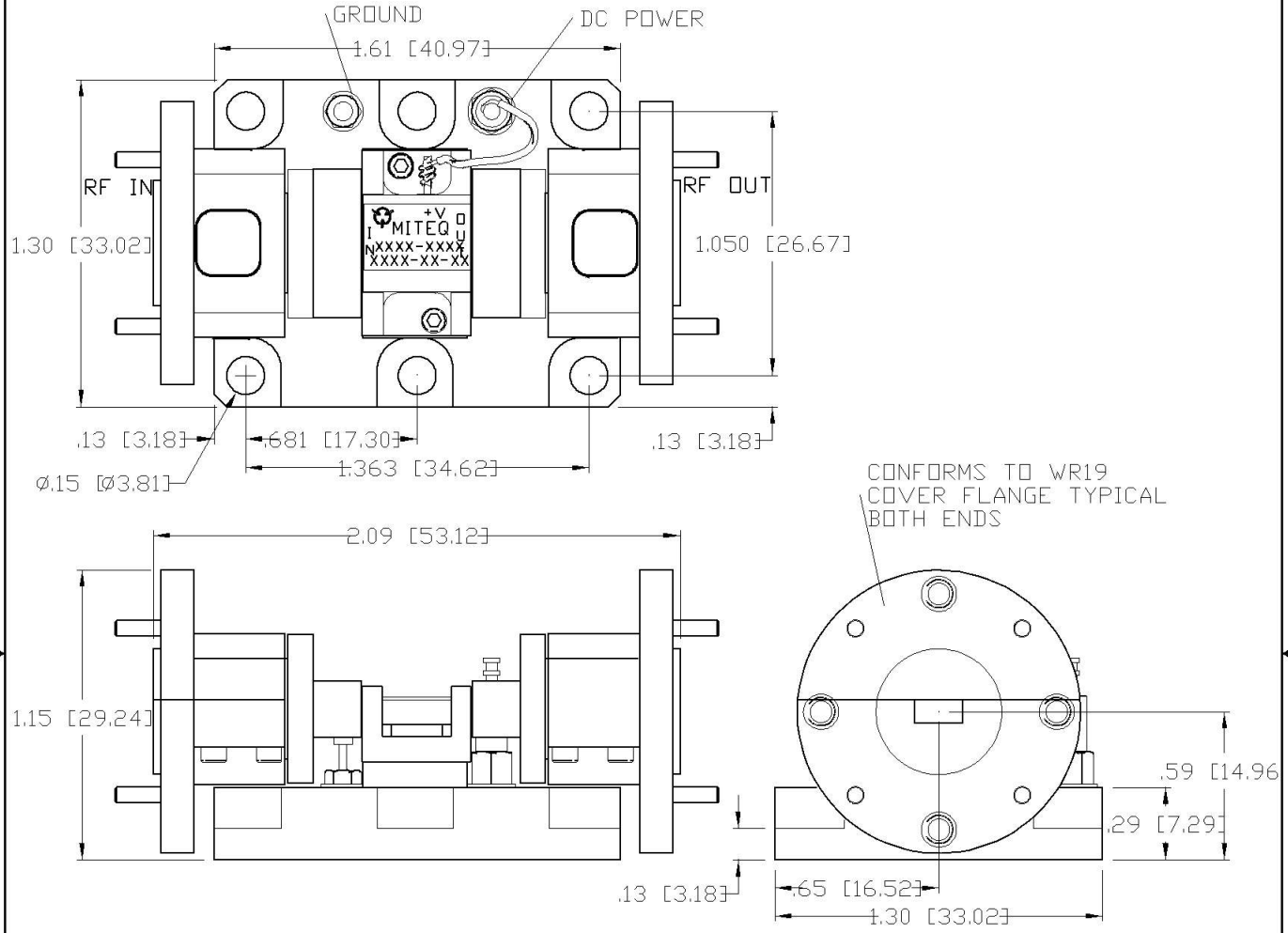


DASH NO.	APPLICATION		REVISIONS			
	NEXT ASSY	USED ON	LTR	DESCRIPTION	DATE	APPROVED
			B	Incorporate ECN 31910	09/24/14	RScherer



NOTES:
1. DIMENSIONS IN BRACKET ARE METRIC EQUIVALENTS.

UNLESS OTHERWISE SPECIFIED DIMENSIONS ARE IN INCHES TOLERANCES DN	NAME	DATE	 100 Davids Drive, Hauppauge, New York 11788		
	DWN EMarty	02/18/97			
DECIMAL .X ±0.1 DECIMAL .XX ±0.01 DECIMAL .XXX ±0.005 ANGLES X° ±30'	DFT DES	10/31/14	JSAD1 AMPLIFIER WITH WR19 WAVEGUIDE IN & OUT OUTLINE		
	PROJ ENGR	J. Decker 11/17/14			
PROJECTION	MFG ENGR		SIZE	CODE IDENT. NO.	REV
 ESD SENSITIVE COMPONENT	Q.C.		A	33592 130001	B
	CUST		SCALE	PROJECT	SHEET 1 1 OF