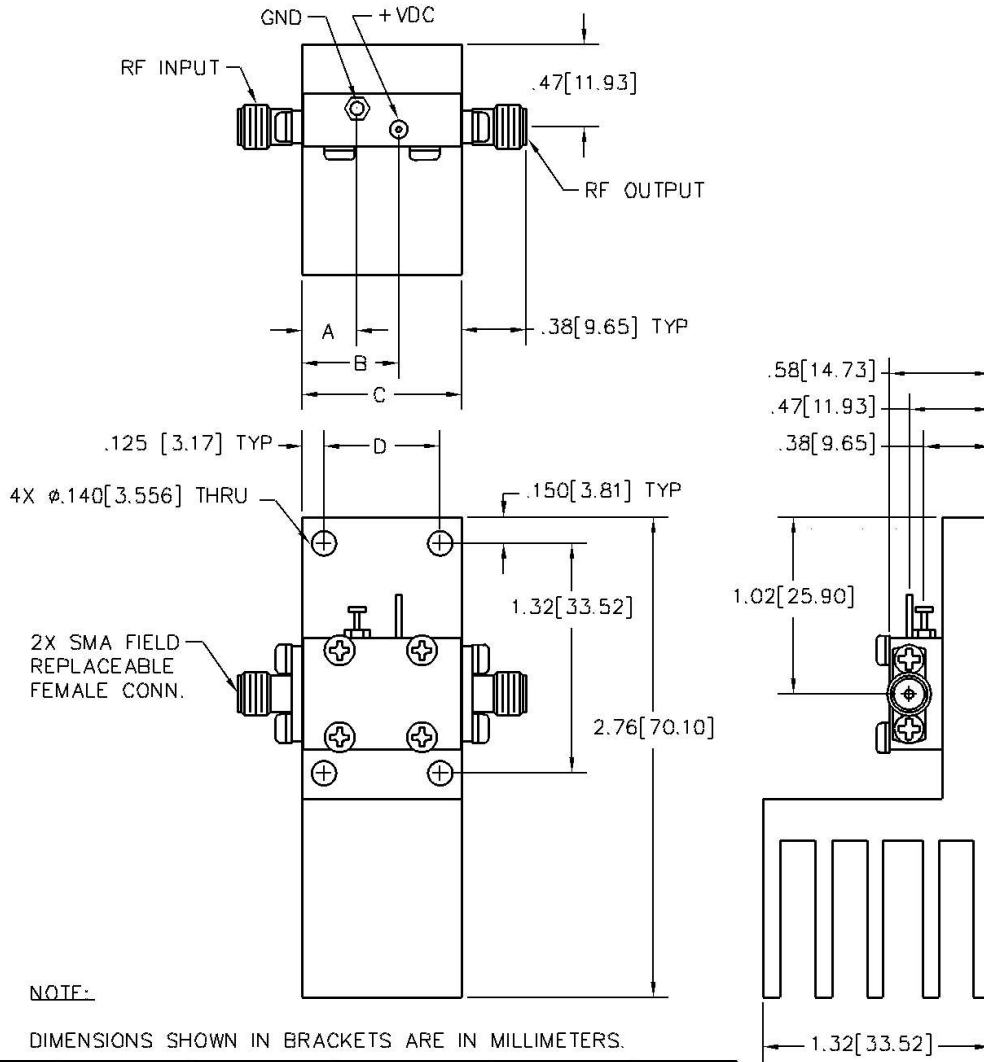


DASH NO.	APPLICATION		REVISIONS			
	NEXT ASSY	USED ON	LTR	DESCRIPTION	DATE	DRAFTING
			B	INSERT DRAWING FORMAT	02/17/05	



DASH NO.	DIM A	DIM B	DIM C	DIM D	HOUSING NO.
-3	.14[3.56]	.37[9.40]	.72[18.29]	.47[11.94]	121672
-4	.32[8.13]	.55[13.97]	.90[22.86]	.65[16.51]	121673
-5	.50[12.70]	.73[18.54]	1.08[27.43]	.83[21.08]	121674
-6	.68[17.27]	.91[23.11]	1.27[32.26]	1.02[25.90]	121675

HEATSINK 128059
HOUSING 121675
HOUSING 121674
HOUSING 121673
HOUSING 121672

ALL PAGES ARE OF ORIGINAL ISSUE (A) EXCEPT AS NOTED.	CONTR. NO. 450191		 100 Davids Drive, Hauppauge, New York 11788		
	PREP BY NAME <i>JOB</i>	DATE 11/22/96			
	DRAFT DESIGN		OUTLINE DWG. AMF AMPL. W / HEAT SINK		
	PROJ ENGR <i>MEA</i>	03/04/10			
	MFG ENGR		SIZE A	CODE IDENT. NO. 33592	129529
	Q.A.		SCALE	REV. B	SHEET 1 OF 1