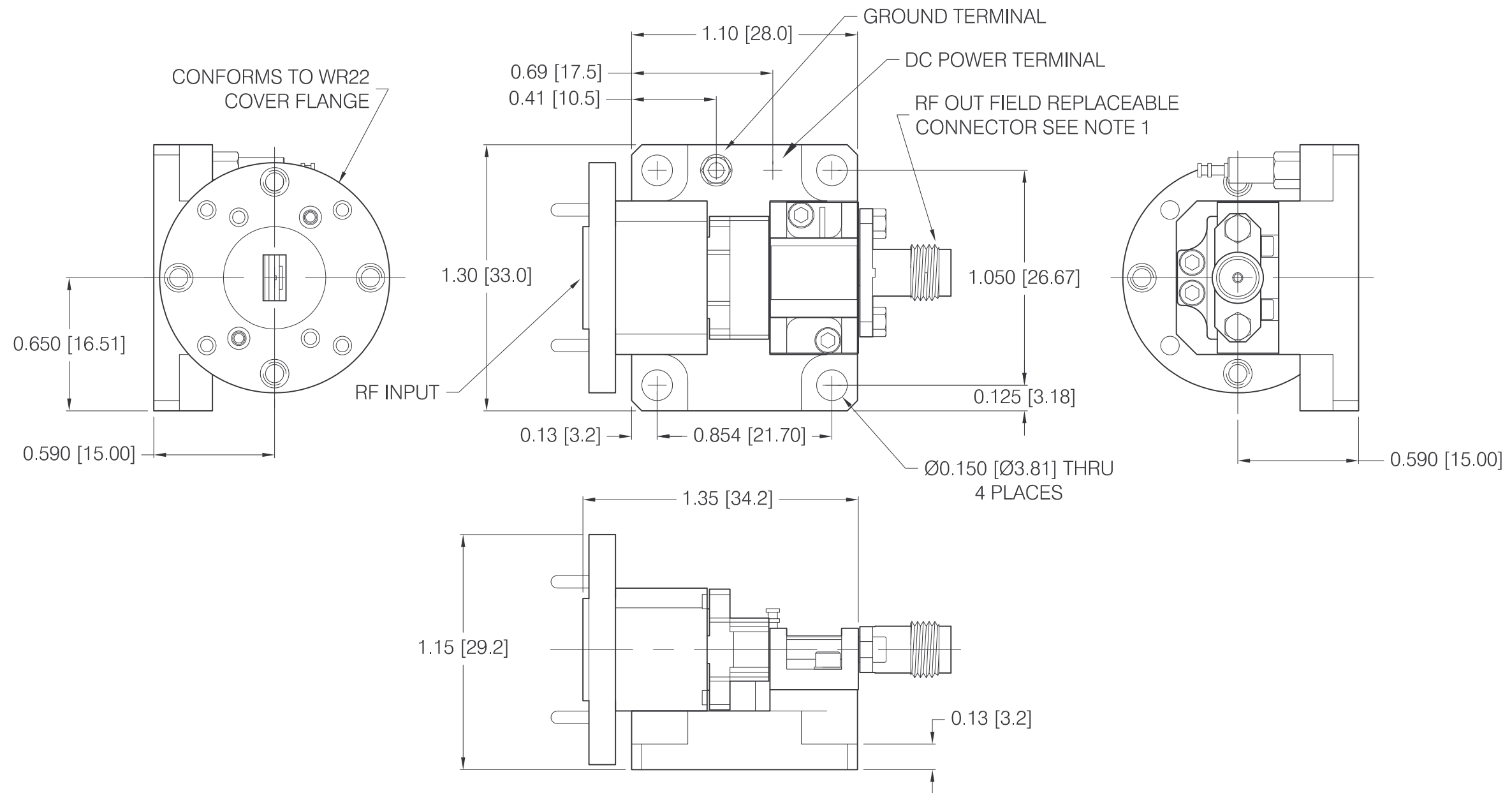


REVISIONS

LTR	DESCRIPTION	DATE	APPROVED
C	Incorporate ECN 20508	07/26/11	<i>R.Scherer</i>



NOTES:

1. OUTPUT CONNECTOR SUPPLIED WITH V SERIES FEMALE OPTIONAL CONNECTOR SERIES AND GENDER AVAILABLE

2. DIMENSIONS IN BRACKETS ARE METRIC EQUIVALENT

UNLESS OTHERWISE SPECIFIED DIMENSIONS ARE IN INCHES TOLERANCES ON	NAME	DATE
DECIMAL .X ±0.1	DRN BY <i>E. Marty</i>	10/28/96
DECIMAL .XX ±0.01	CHK BY <i>R.Scherer</i>	07/28/11
DECIMAL .XXX ±0.005	PROJ ENGR <i>J. Decker</i>	07/28/11
ANGLES X° ±30'	SECT HEAD	
	Q.C.	
	CUST	



100 Davids Drive, Hauppauge, New York 11788

JSA AMPLIFIER WITH WR22 INPUT/ COAX OUTPUT OUTLINE

SIZE	CODE IDENT. NO.		REV
A	33592	129014	C
SCALE	PROJECT	SHEET 1 OF	1

