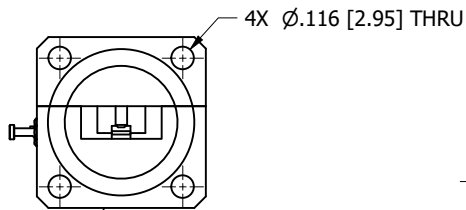
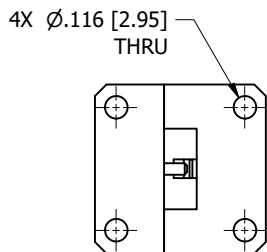
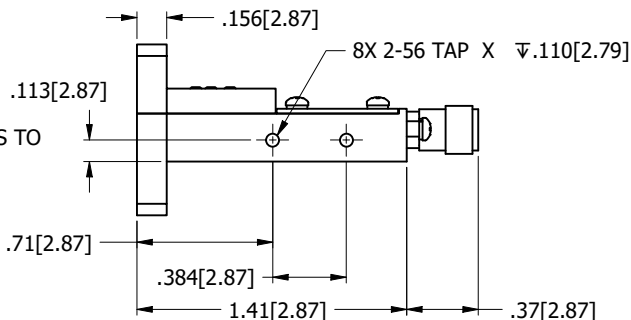


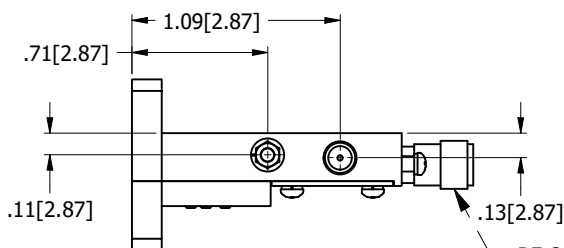
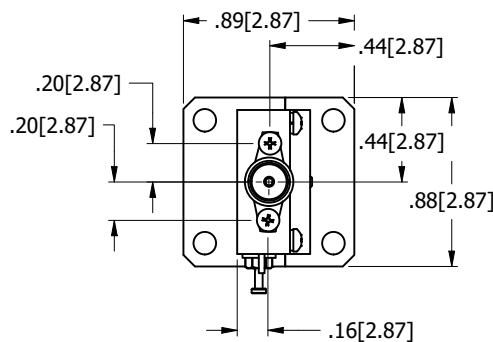
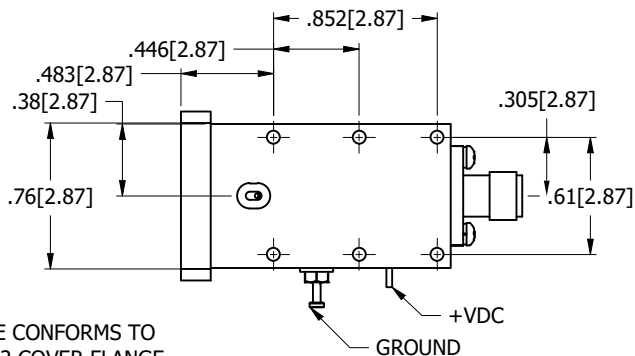
APPLICATION		REVISIONS			
NEXT ASSY	USED ON	LTR	DESCRIPTION	DATE	APPROVED
		H	Incorporated ECN 34761	8/25/2016	J. Bovaird



INPUT FLANGE CONFORMS TO UG597/U WR42 GROOVED COVER FLANGE



INPUT FLANGE CONFORMS TO UG597/U WR42 COVER FLANGE



RF OUTPUT
 FIELD REPLACEABLE
 TYPE 'K' OR SMA FEMALE OR
 MALE CONN.

PRINT NOT ON AUTOMATIC DISTRIBUTION VERIFY REVISION PRIOR TO USE

ALL PAGES ARE OF ORIGINAL ISSUE (A) EXCEPT AS NOTED UNLESS OTHERWISE SPECIFIED DIMENSIONS ARE IN INCHES TOLERANCES ON DECIMALS ANGLES .X±.1 ±0~30' .XX±.01 .XXX±.005	DRN BY KJB NAME DATE 10/11/1996	Narda-MITEQ PROPRIETARY THIS DOCUMENT CONTAINS INFORMATION WHICH IS PROPRIETARY TO Narda-MITEQ. THE CONTENTS SHALL NOT BE DISCLOSED, COPIED, DISTRIBUTED OR USED UNLESS AUTHORIZED BY AN OFFICER OF Narda-MITEQ.
	CHK BY J. Bovaird DATE 8/30/2016	

APPROVED BY PROJ ENGR J. SEPULVEDA DATE 8/31/16	435 MORELAND RD HAUPPAUGE, NY 11788		
	OUTLINE INTEGRATED AMP. 18-26 GHz WR42		
SIZE A CODE INCDENT 99899 DRAWING NUMBER 128869 REV H	SCALE REF SHEET 1 OF 1		