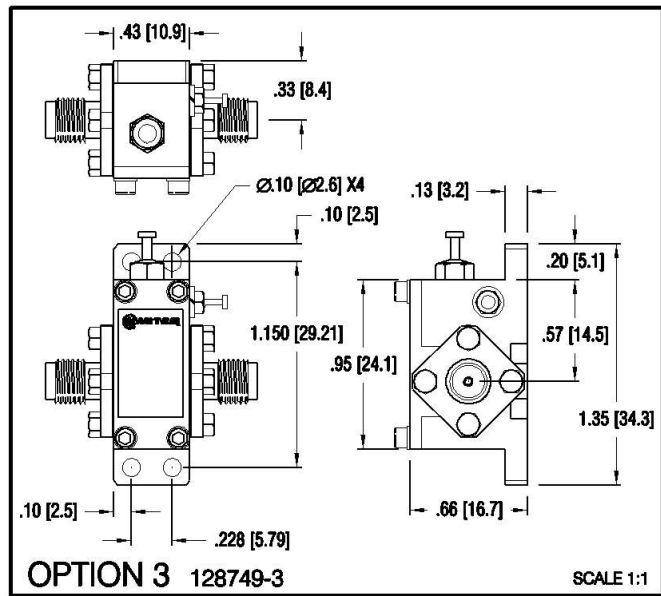
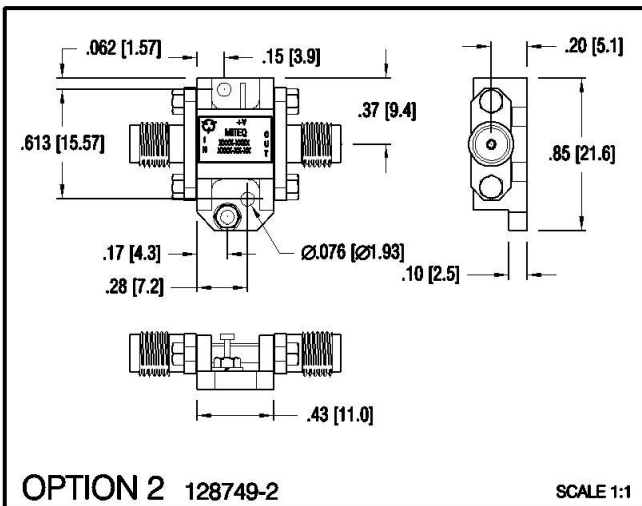
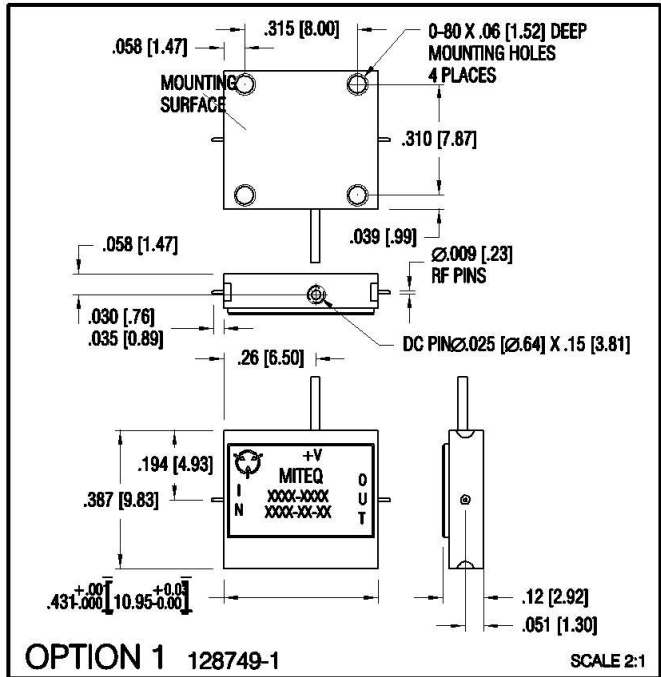
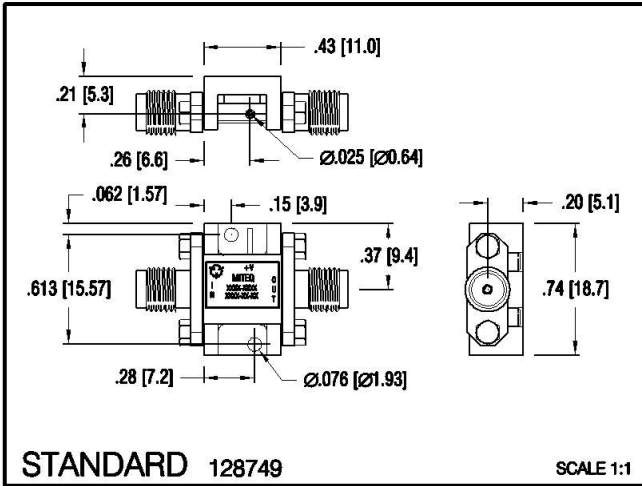


DASH NO.	APPLICATION		REVISIONS			
	NEXT ASSY	USED ON	LTR	DESCRIPTION	DATE	APPROVED
	128750	189111	K	Incorporate ECN 28807	08/27/13	<i>R. Scherer</i>
		199521				



NOTES

DIMENSIONS IN BRACKETS ARE METRIC EQUIVALENT

CONNECTOR SERIES AND GENDER OPTION AVAILABLE DEPENDENT ON FREQUENCY

UNLESS OTHERWISE SPECIFIED DIMENSIONS ARE IN INCHES TOLERANCES ON	NAME	DATE
	DWN <i>E. Marty</i>	09/20/96
DECIMAL .X ±0.1 [2.5] DECIMAL .XX ±0.01 [0.25] DECIMAL .XXX ±0.005 [0.13] ANGLES X° ±30°	DFT DGN <i>R. Scherer</i>	08/27/13
	PROJ ENGR <i>N. Prabh</i>	08/28/13
	MFG ENGR	
	Q.C.	
	CUST	



JSD TYPE MODULE SERIES OUTLINE WITH OPTIONS

SIZE	CODE IDENT. NO.		REV
A	33592	128749	K
SCALE	PROJECT	SHEET	DF 1