

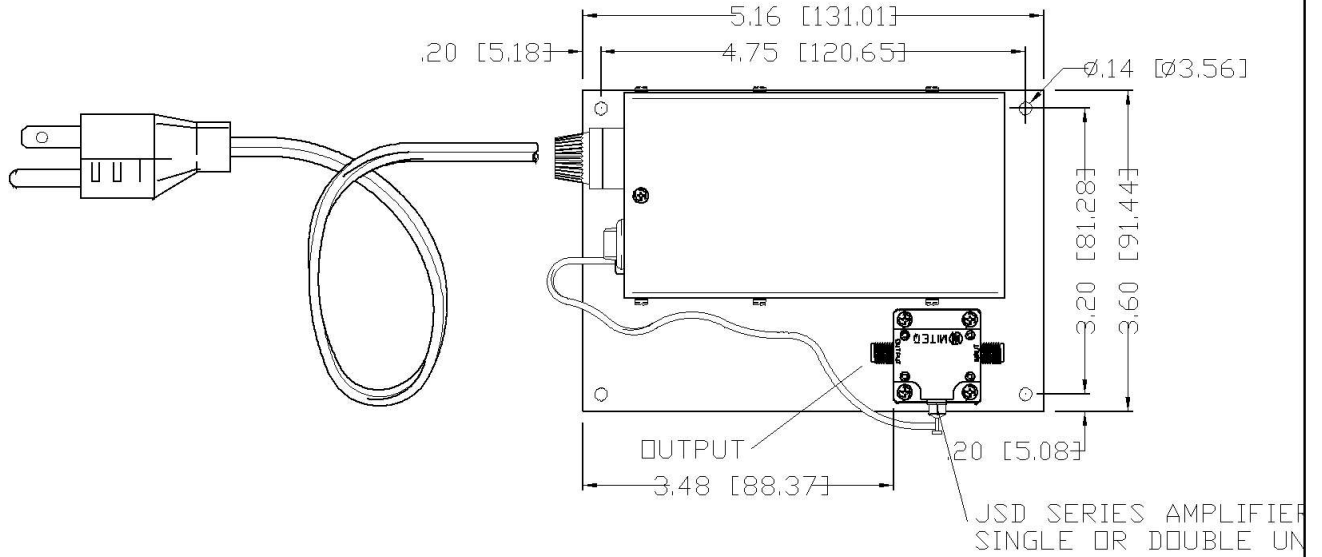
Current Revision

As of 6/2/2014 9:24:15 AM

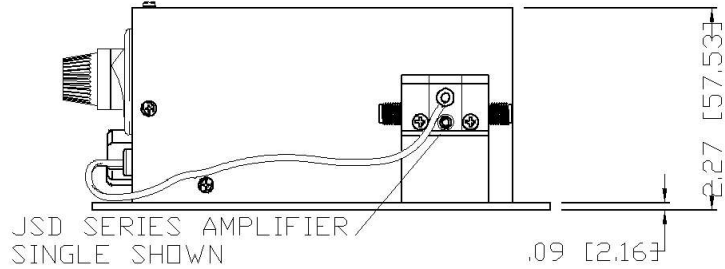
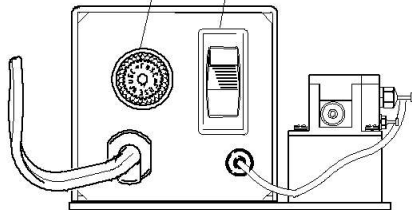
DDYER



DASH NO.	APPLICATION		REVISIONS			
	NEXT ASSY	USED ON	LTR	DESCRIPTION	DATE	APPROVED
	132461		B	Incorporate ECN 31012	05/30/14	RScherer



POWER SWITCH
 INDICATOR LIGHT -1
 SE -2
 POWER SUPPLY INPUT 100V TO 240 VAC
 OUTPUT 15.0VDC



UNLESS OTHERWISE SPECIFIED DIMENSIONS ARE IN INCHES TOLERANCES ON DECIMAL .X ±0.1 DECIMAL .XX ±0.01 DECIMAL .XXX ±0.005 ANGLES X° ±30'	NAME	DATE	 100 Davids Drive, Hauppauge, New York 11788		
	DWN BY EMarty	07/19/96			
	CHK BY RScherer	05/30/14	JS AMPLIFIER WITH POWER SUPPLY OUTLINE		
	PROJ ENGRN. Shaikh	05/30/14			
SECT HEAD		SIZE	CODE IDENT. NO.	REV	
Q.C.		A	33592 128570	B	
CUST		SCALE	PROJECT	SHEET 1	1 OF