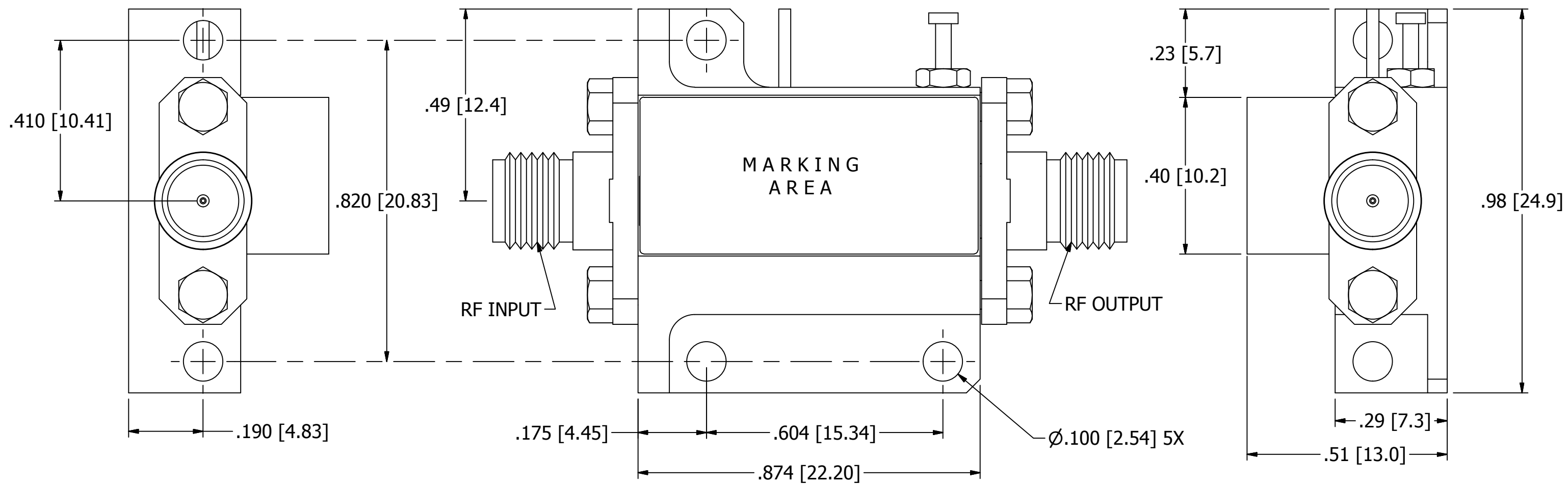
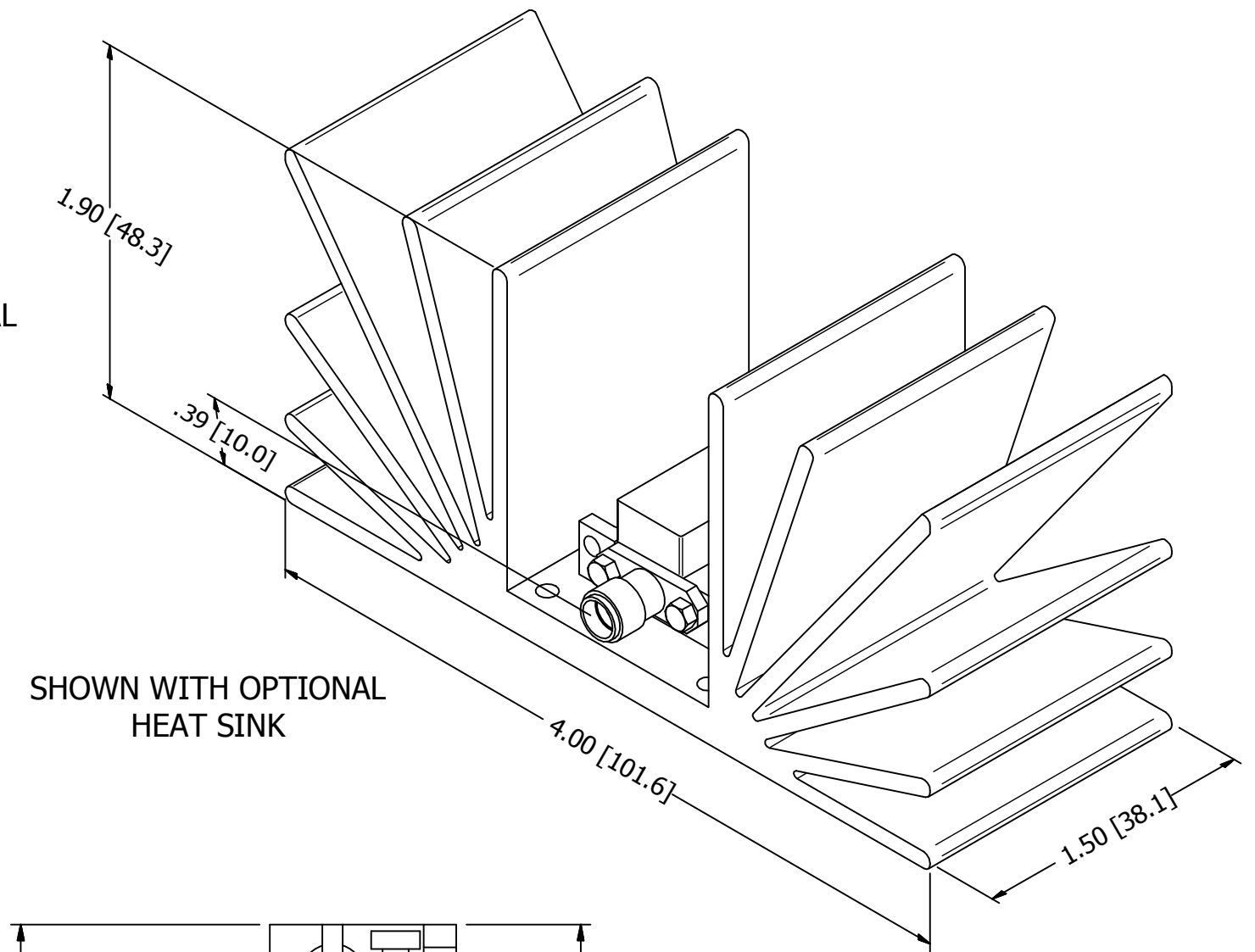
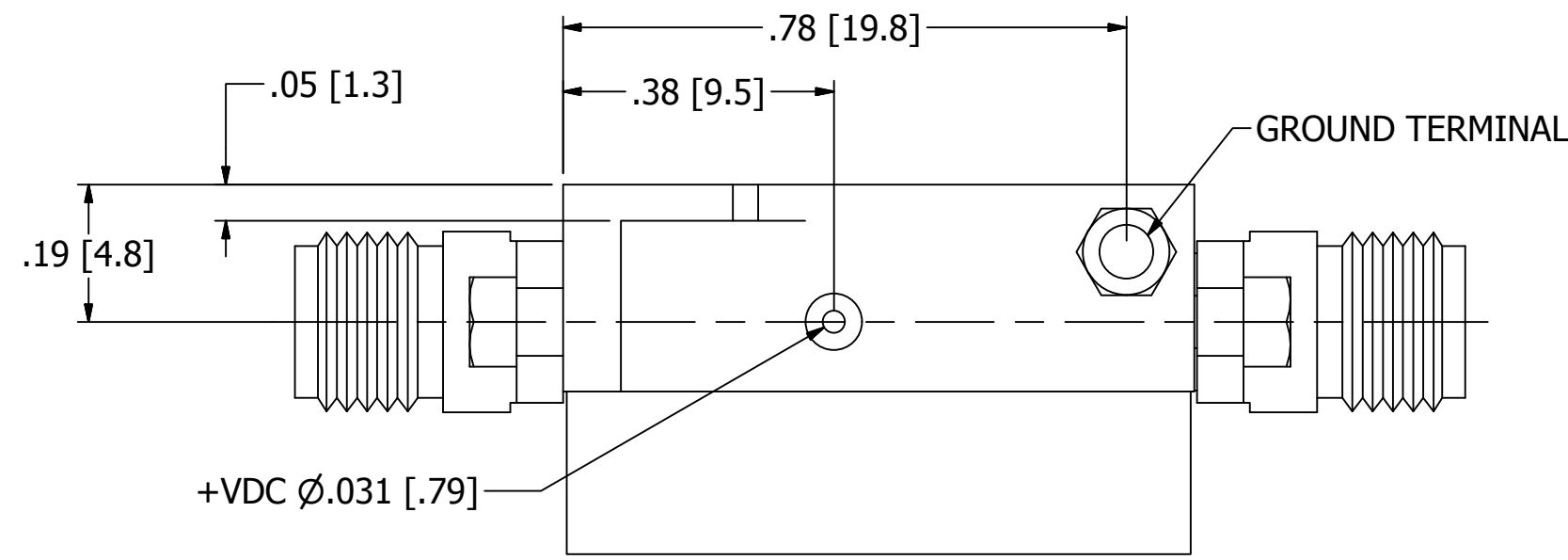


REVISIONS				
ZONE	LTR	DESCRIPTION	DATE	APPROVED
	F	Incorporate ECN 32355	12/1/2014	<i>R.Scherer</i>



NOTES

- CONNECTORS ARE FIELD REPLACEBLE FEMALE STANDARD AS SHOWN. MALE OPTIONAL
- DIMENSIONS IN BRACKETS ARE METRIC EQUIVALENT



ESD SENSITIVE COMPONENT

		UNLESS OTHERWISE SPECIFIED DIMENSIONS ARE IN INCHES TOLERANCES ON		NAME		DATE	
		DECIMAL	ANGLES	<i>E.Marly</i>		7/16/1996	
		.XX± .01	.XXX± .005	<i>R.Scherer</i>		12/1/2014	
				APPROVED BY			
				PROJ ENGR	<i>J. Decker</i>		
				ENG SECT	<i>J. Buonaiuto</i>		
				Q.A.			
				CUST			
OUTLINE	212870	FINISH		INVENTOR FILE			
HEAT SINK	212869			128553.dwg, 128553-2.iam, 128553.ipt			
NEXT ASSY	USED ON	HEAT TREAT					
APPLICATION							



**JSF4 FIBER OPTIC AMPLIFIER
OUTLINE**

SIZE	CODE INDENT.	DRAWING NUMBER	REV
C	33592	128553	F
SCALE	REF	SHEET 1	OF 1