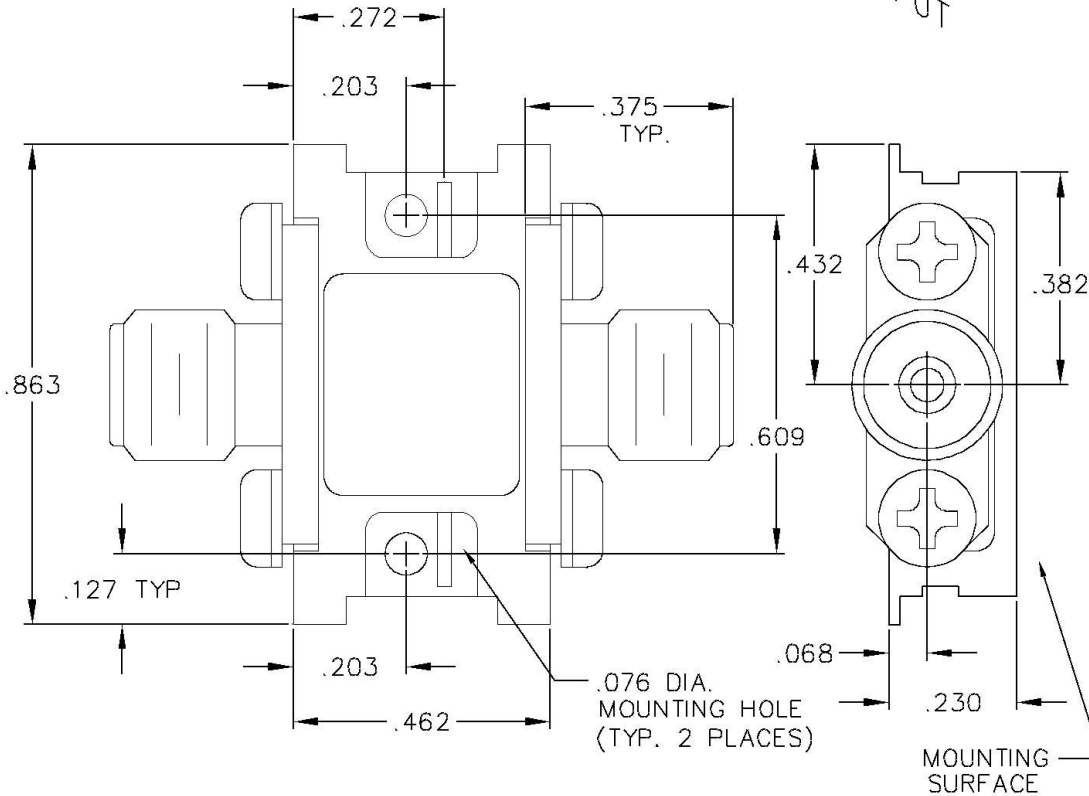
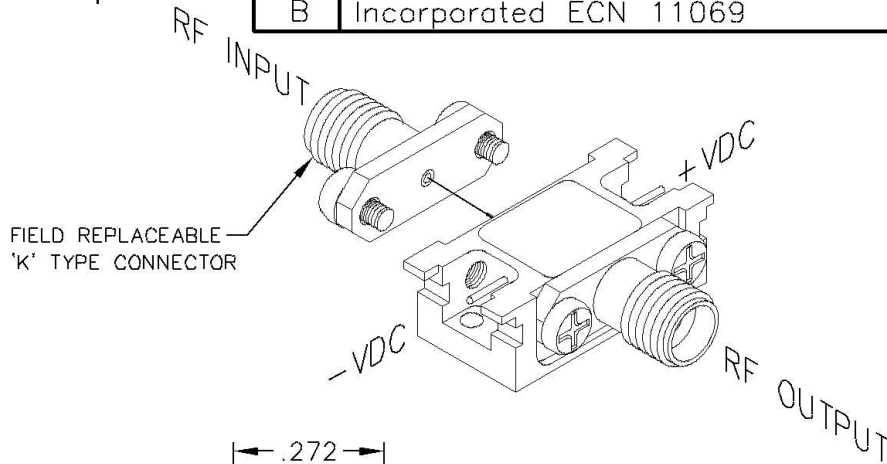


DASH NO.	APPLICATION		REVISIONS			
	NEXT ASSY	USED ON	LTR	DESCRIPTION	DATE	APPROVED
			B	Incorporated ECN 11069	01/22/09	<i>EjMarty</i>



NOTE:

- 1. DIMENSIONS ARE IN INCHES
- TOLERANCES AS FOLLOWS:
- .XX = ±.01
- .XXX = ±.005

ALL PAGES ARE OF ORIGINAL ISSUE (A) EXCEPT AS NOTED.	CONTR NO.		 100 Davids Drive, Hauppauge, New York 11788
	PREP BY	NAME <i>E. Marty</i>	
	CHKD BY	<i>EjMarty</i>	01/22/09
	PROJ ENGR	<i>N. Shaikh</i>	01/22/09
	APPROVAL (PROJ)		
	APPROVAL (GOVT)		
SIZE	CODE IDENT. NO.	128446	
A	33592	SCALE	REV. B SHEET 1 OF 1