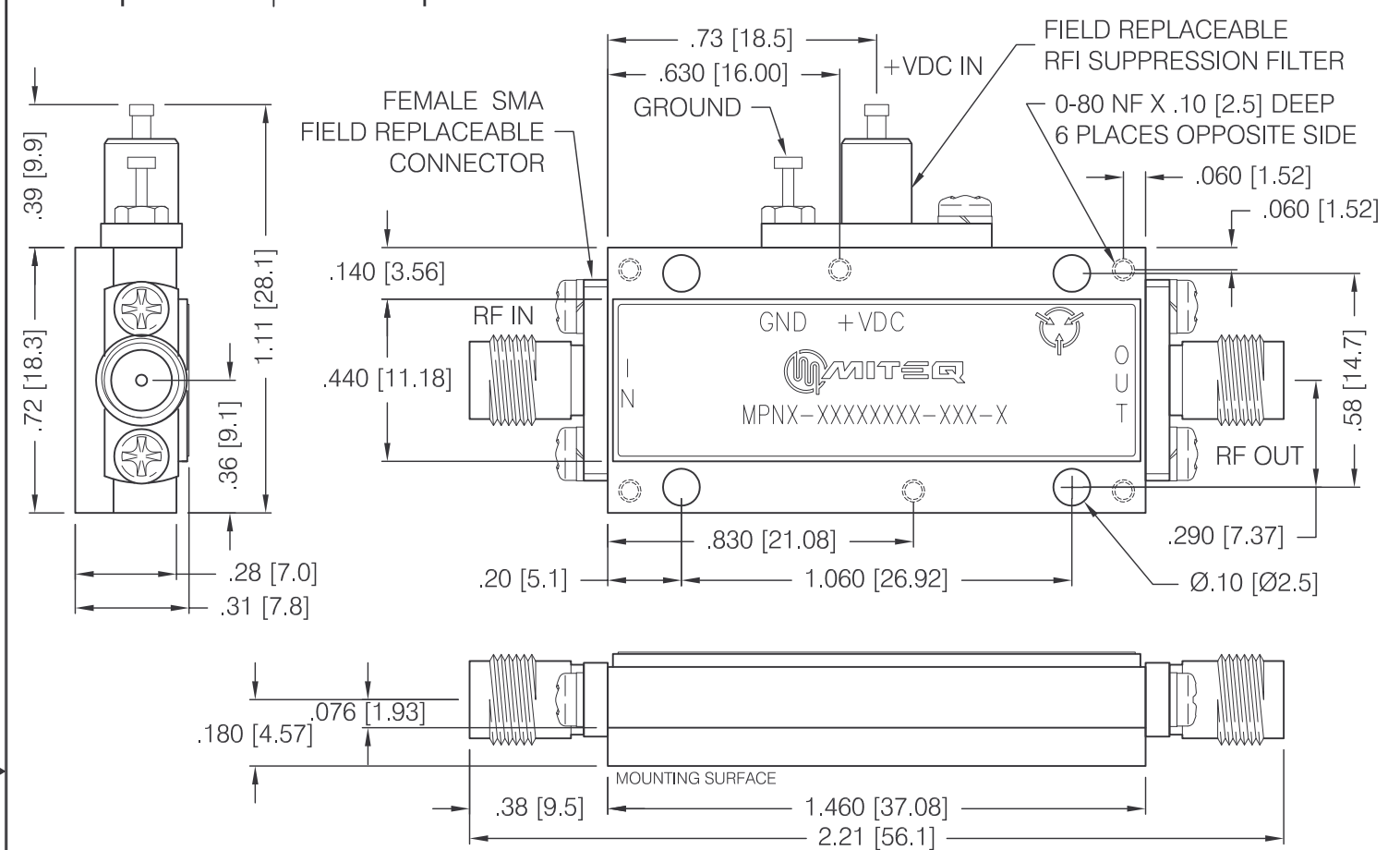
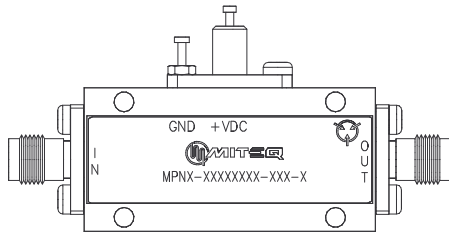
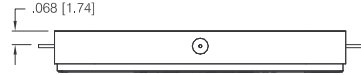
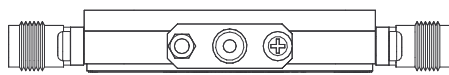
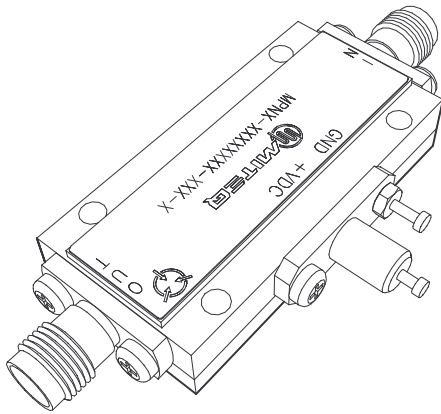


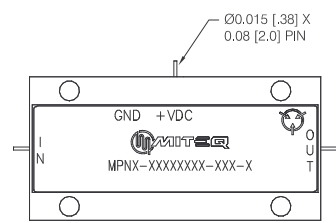
| DASH NO. | APPLICATION |         | REVISIONS |                  |         |          |
|----------|-------------|---------|-----------|------------------|---------|----------|
|          | NEXT ASSY   | USED ON | LTR       | DESCRIPTION      | DATE    | APPROVED |
|          | OLD HOUSING | 129950  | E         | TITLE CORRECTION | 2/10/03 |          |
|          | HOUSING     | 149179  |           |                  |         |          |
|          | BASE PLATE  | 149180  |           |                  |         |          |



SCALE: 2/1



STANDARD CONFIGURATION  
SCALE: 1/1



CONNECTORS AND BASE PLATE REMOVED  
SCALE: 1/1

|   |           |        |
|---|-----------|--------|
| UNLESS OTHERWISE SPECIFIED DIMENSIONS ARE IN INCHES TOLERANCES ON | NAME      | DATE   |
|   | DWN BY CP | 4/5/96 |
|   | CHK BY    |        |
| DECIMAL .XX ±.01<br>DECIMAL .XXX ±.005<br>ANGLES X° ±30'          | PROJ ENGR |        |
|   | SECT HEAD |        |
| HOUSING KOVAR GOLD PLATED<br>BASE PLATE ALUMINUM                  | Q.C.      |        |
|   | CUST      |        |



100 Davids Drive, Hauppauge, New York 11788

MPN-2  
AMPLIFIER  
OUTLINE

|       |                 |        |        |
|-------|-----------------|--------|--------|
| SIZE  | CODE IDENT. NO. |        | REV    |
| A     | 33592           | 127651 | E      |
| SCALE | PROJECT         | SHEET  | 1 OF 1 |
|       | 61D             |        |        |