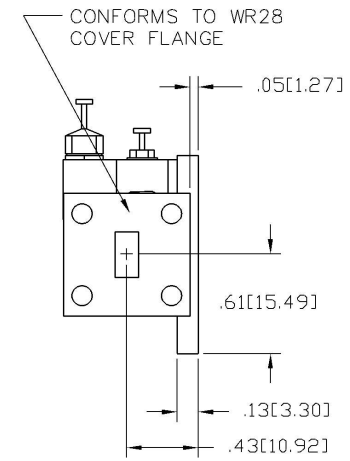
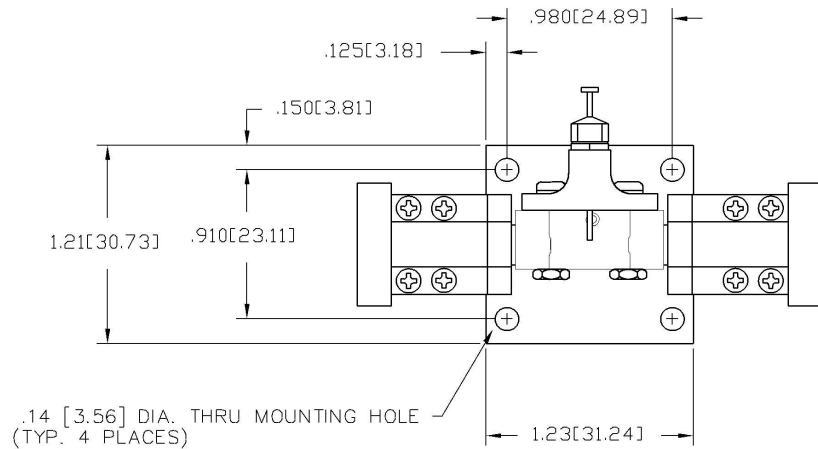
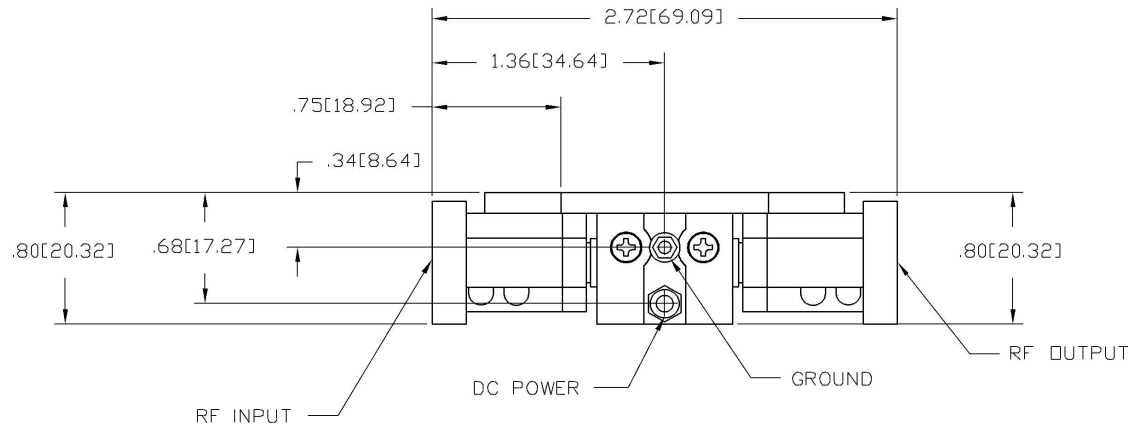


REVISIONS				
ZONE	LTR	DESCRIPTION	DATE	APPROVED
	A	INITIAL RELEASE	6/6/95	
	B	EXTENSIVELY REVISED OUTLINE CONFIG.	02/02/96	



VIEW TYPICAL BOTH ENDS.

125890

NOTES:
1. DIMENSIONS IN BRACKETS [] ARE IN MILLIMETERS.

-5	-4	-3	-2	-1	NOMENCLATURE OR DESCRIPTION	SYM/NOTES	PART NO.	CODE IDENT	ITEM NO.
QTY REQ'D					PARTS LIST				
UNLESS OTHERWISE SPECIFIED DIMENSIONS ARE IN INCHES TOLERANCES ON					DRN BY: <i>C. Pinkham</i> NAME: DATE: 6/6/95 GHD BY: APPROVED BY:		100 Davids Drive, Hauppauge, New York 11788		
MATERIAL					PROJ ENGR: ENG SECT: G.A.:		OUTLINE DRAWING JS3W AMPLIFIER WITH WR28 INPUT & OUTPUT		
FINISH					HEAT TREAT:		SIZE: C CODE IDENT. NO.: 33592		REV. B
APPLICATION					REF: 80D000		SHEET 1 OF 1		