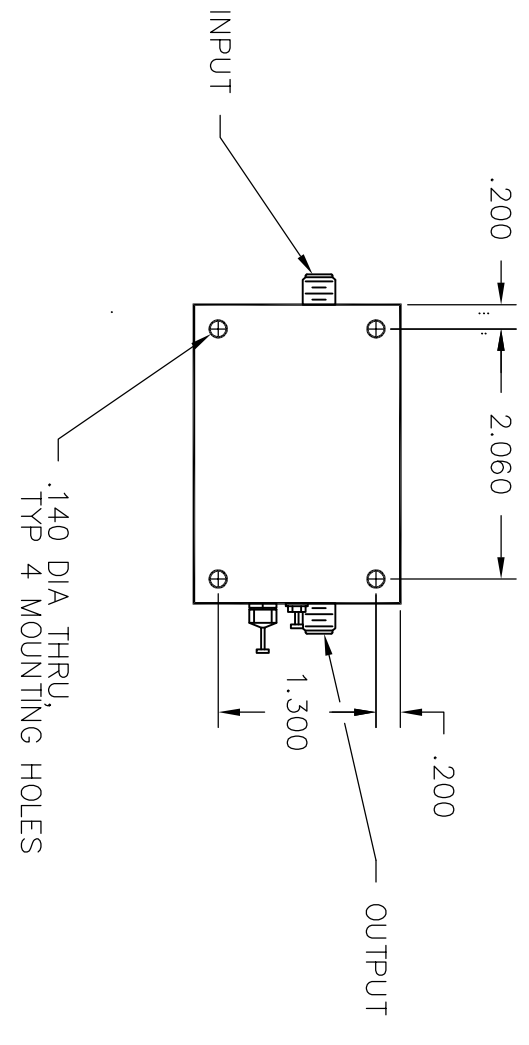
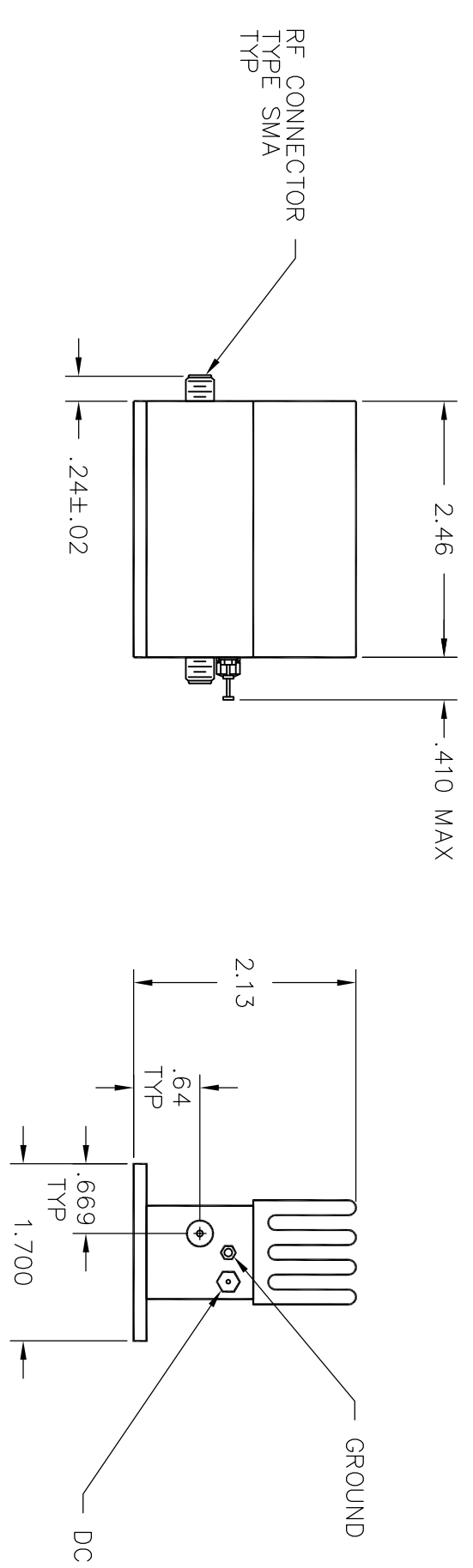


REVISIONS			
ZONE	LTR	DESCRIPTION	DATE
C		Placeholder for ECN 36559	09/22/16



<p>L-3 PROPRIETARY THIS DOCUMENT CONTAINS INFORMATION WHICH IS PROPRIETARY TO L-3 COMMUNICATIONS CORPORATION. THE CONTENTS SHALL NOT BE DISCLOSED, COPIED, DISTRIBUTED OR USED UNLESS AUTHORIZED BY AN OFFICER OF L-3 COMMUNICATIONS</p>	
<p>THIS TECHNICAL DATA IS CONTROLLED UNDER THE EXPORT ADMINISTRATION REGULATIONS (EAR) AND MAY NOT BE EXPORTED TO A FOREIGN PERSON, EITHER IN THE U.S. OR ABROAD, WITHOUT PROPER AUTHORIZATION BY THE U.S. DEPARTMENT OF COMMERCE.</p>	<p>BASE PLATE 110380-29 HEAT SINK 110363-29 HOUSING 111069 NEXT ASSY USED ON APPLICATION</p>

QTY REQ'D	-5	-4	-3	-2	-1
<p>UNLESS OTHERWISE SPECIFIED DIMENSIONS ARE IN INCHES TOLERANCES ON DECIMALS .XXX±.005 ANGLES ±0°30' ANGLE PROJECTION</p>					
<p>MATERIAL FINISH HEAT TREAT</p>					

<p>DRN BY NAME DATE 03/21/95</p>		<p>APPROVED BY DATE 09/22/16</p>	
<p>PROJ ENGR</p>		<p>ENG</p>	
<p>Q.A.</p>		<p>SCALE C 33592</p>	

**435 MORELAND ROAD
HAUPPAUGE, NY, 11788**

**OUTLINE DWG. MEDIUM
POWER AMPLIFIER
W/HEATSINK**

PARTS LIST
 PART NO. CODE IDENT. ITEM NO.
 125420

SIZE CODE IDENT. NO. REV.
 C 33592 125420 C

SCALE REF 451191 SHEET 1 OF 1