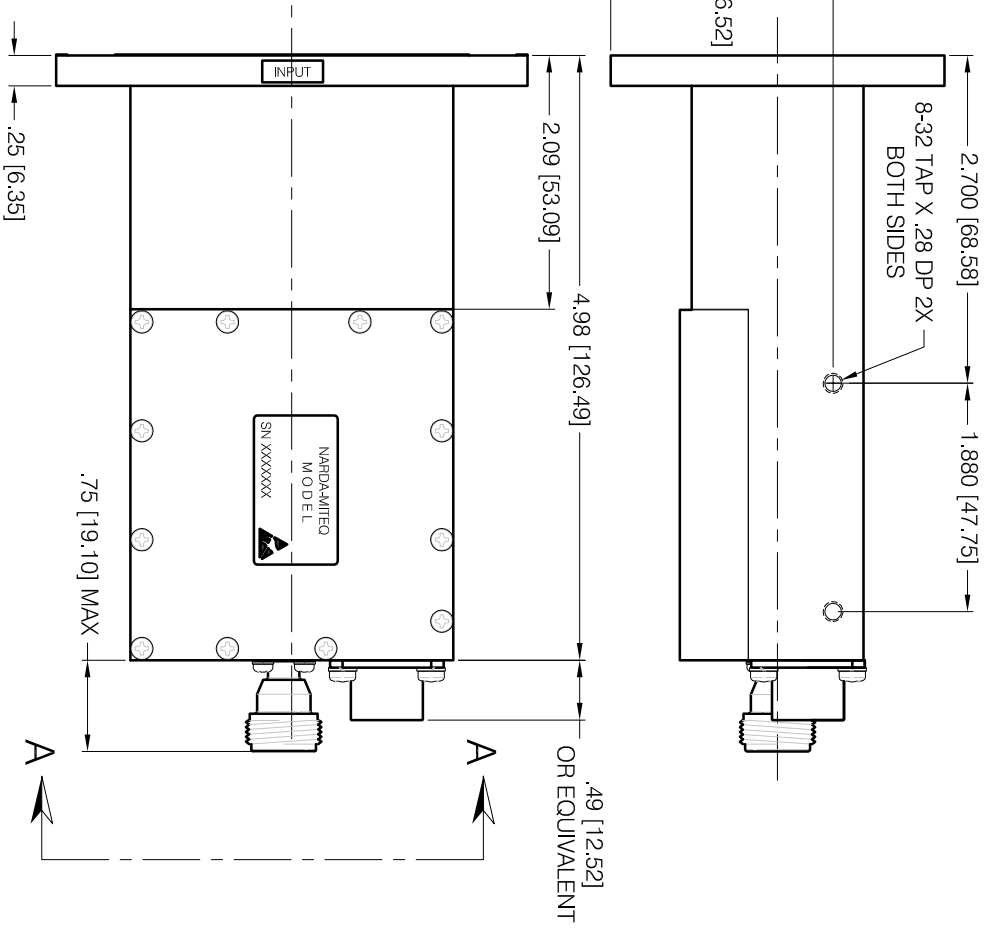
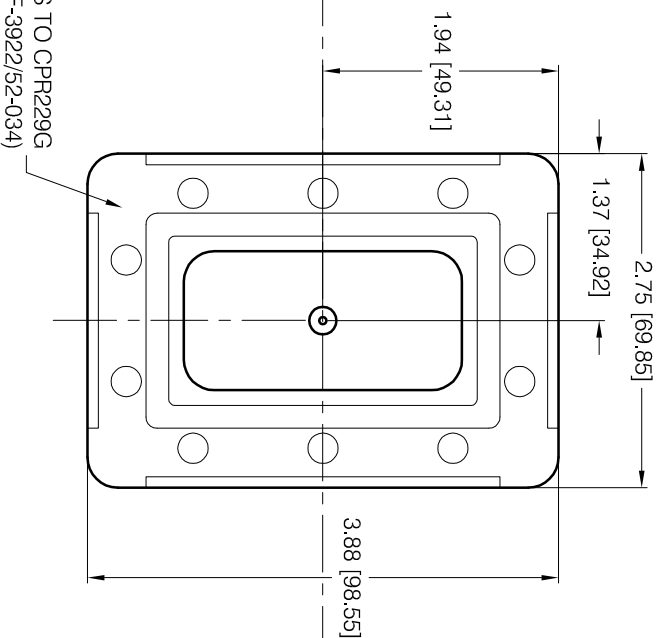
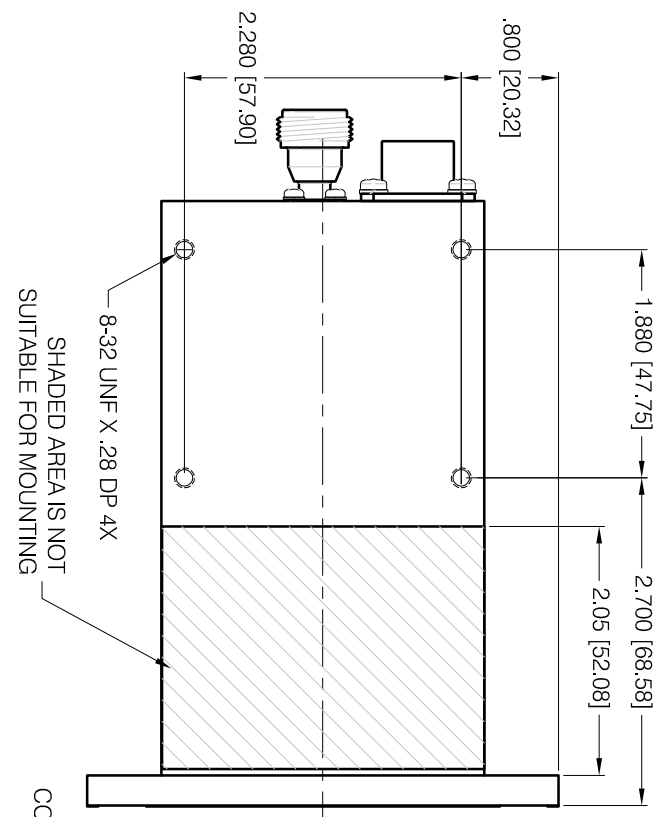
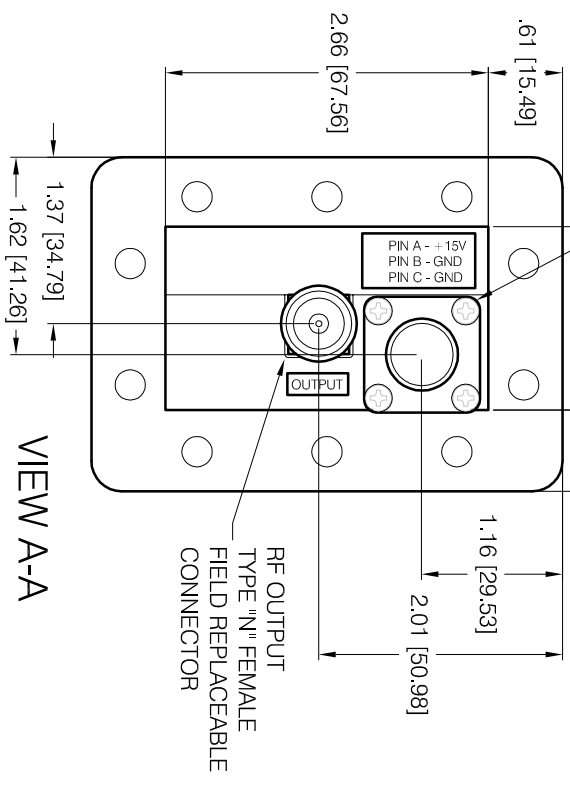




DC POWER  
MS3112E10-6P  
OR EQUIVALENT MATES  
WITH MS3116E10-6S OR  
EQUIVALENT



DASH NUMBER TABLE			
OUTLINE DASH NUMBER	DIM. "A"	OPTION P/N SUFFIX	AMPLIFIER DESCRIPTION
125063-1	1.59 [40.39]	NONE	STANDARD LNA
125063-1	1.59 [40.39]	-F	LNA WITH OPTIONAL FAULT ALARM
125063-2	2.30 [58.42]	-O	LNA WITH OPTIONAL 100 - 240 VAC POWER SUPPLY
125063-2	2.30 [58.42]	-F-O	LNA WITH OPTIONAL FAULT ALARM AND 100 - 240 VAC POWER SUPPLY

REVISIONS				
ZONE	LTR	DESCRIPTION	DATE	APPROVED
R		Incorporate ECN 38504	04/26/17	RS

NOTES:

1. METRIC DIMENSIONS ARE SHOWN IN PARENTHESES.
2. STANDARD UNIT AS SHOWN, FLAT FLANGE IS OPTIONAL.
3. SMA FIELD REPLACEABLE CONNECTOR OPTION AVAILABLE.
4. AS AN OPTION, A FLAT COVER PLATE CAN BE USED TO REPLACE THE MULTI-PIN CONN WHEN A BIAS-TEE IS INSTALLED.

L-3 PROPRIETARY  
THIS DOCUMENT CONTAINS INFORMATION WHICH IS PROPRIETARY TO L-3 COMMUNICATIONS CORPORATION. THE CONTENTS SHALL NOT BE DISCLOSED, COPIED, DISTRIBUTED OR USED UNLESS AUTHORIZED BY AN OFFICER OF L-3 COMMUNICATIONS

LABEL SET	218239
EXT COVER	124196
INT COVER	124293
HOUSING	124195
NEXT ASSY	USED ON
APPLICATION	

UNLESS OTHERWISE SPECIFIED DIMENSIONS ARE IN INCHES  
TOLERANCES ON  
DECIMALS  
.XX ± .01 .XXX ± .005  
ANGLES  
± 0.30°

PROJ ENGR	PROJ ENGR	DATE	05/01/17
DESIGN	DESIGN	DATE	08/18/17
APPROVED BY	APPROVED BY	DATE	01/11/95
NAME	NAME	DATE	01/11/95
DATE	DATE	DATE	01/11/95

**OUTLINE WR229 C BAND INTEGRATED WEATHERPROOF AMPLIFIER WITH N CONNECTOR**

125063

THIS TECHNICAL DATA IS CONTROLLED UNDER THE EXPORT ADMINISTRATION REGULATIONS (EAR) AND MAY NOT BE EXPORTED TO A FOREIGN PERSON, EITHER IN THE U.S. OR ABROAD, WITHOUT PROPER AUTHORIZATION BY THE U.S. DEPARTMENT OF COMMERCE.

FINISH	USED ON
--------	---------

AUTOCAD FILE FORMAT

SCALE	REF	SHEET	1 OF 1
-------	-----	-------	--------

SIZE	CODE IDENT. NO.	REV.
C	33592	R