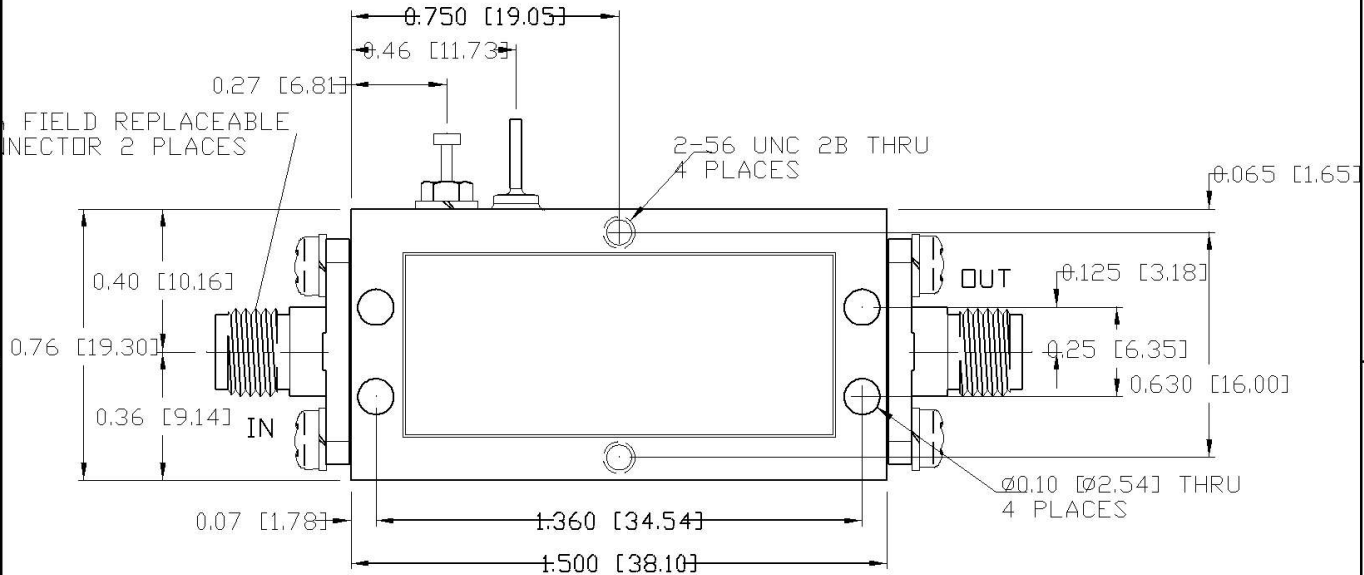
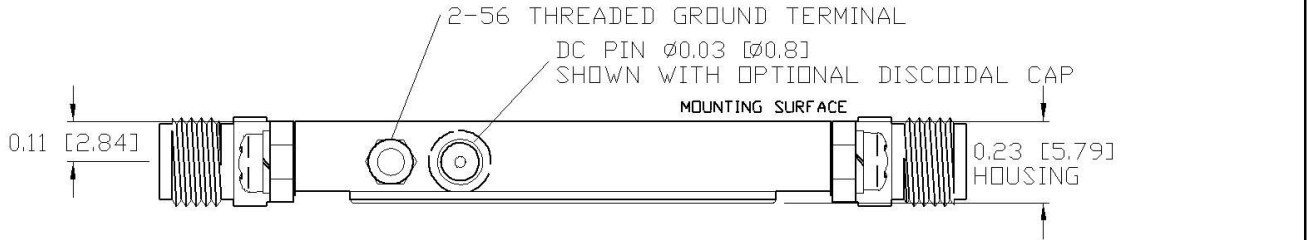


DASH NO.	APPLICATION		REVISIONS			
	NEXT ASSY	USED ON	LTR	DESCRIPTION	DATE	APPROVED
	132723		B	Incorporate ECN 29563	11/22/13	RScherer



SCALE: 2/1

NOTE

1. DIMENSIONS IN BRACKETS ARE METRIC EQUIVALENTS

UNLESS OTHERWISE SPECIFIED DIMENSIONS ARE IN INCHES TOLERANCES ON	NAME	DATE	 100 Davids Drive, Hauppauge, New York 11788		
	DWNJDepperma	01/13/94			
DECIMAL .X ±0.1 [2.5]	DFT		AFD SERIES OUTLINE 2-8 GHz HI FREQUENCY AMPLIFIER		
DECIMAL .XX ±0.01 [0.25]	DGN				
DECIMAL .XXX ±0.005 [0.13]	PROJ		SIZE	CODE IDENT. NO.	REV
ANGLES X° ±30'	ENGR	dc	A	33592 122987	B
PROJECTION	MFG		SCALE	PROJECT	SHEET 1 1 OF
	ENGR				
	Q.C.				
	CUST				