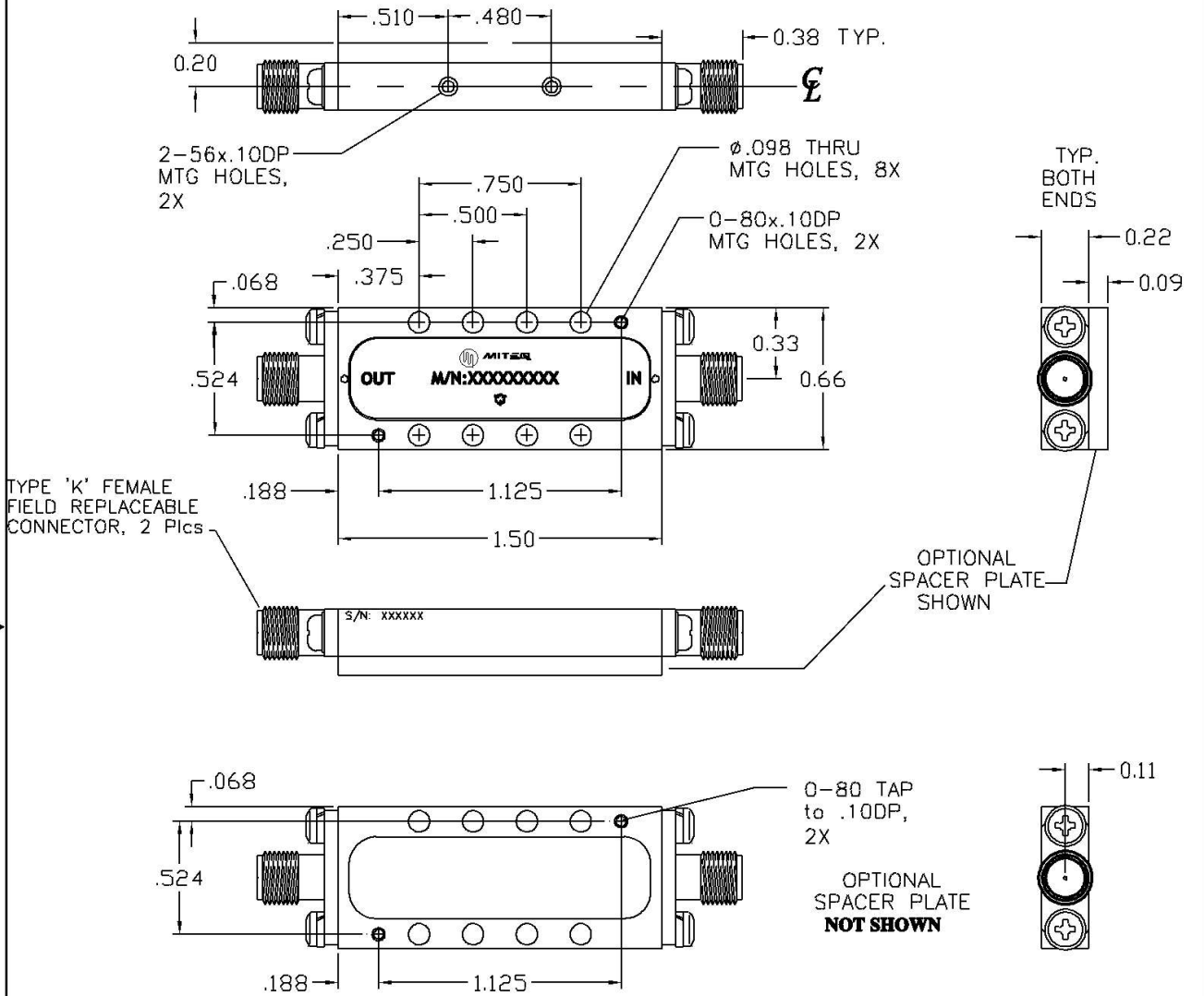


DASH NO.	APPLICATION		REVISIONS			
	NEXT ASSY	USED ON	LTR	DESCRIPTION	DATE	APPROVED
			B	RevPer ECN12356, ASQL-F	05/19/09	L. Cardinal
			B	Show correct Hsg image and missing Dims		



**FINISH:**

UNIT-NICKEL PLATE per SAE-AMS-C26074C  
 SPACER-TRIVALENT CHROMATE CONVERSION, MIL-DTL-5541, TYPE II, CL3.

ALL PAGES ARE OF ORIGINAL ISSUE (A) EXCEPT AS NOTED.	CONTR NO.	MQ0171110		 100 Davids Drive, Hauppauge, New York 11788
	ORIGINALLY DRN BY	D. LaBicaro	9/26/91	
UNLESS OTHERWISE SPECIFIED, DIMENSIONS ARE IN INCHES (MM) TOLERANCES ON DECIMAL ANGLES .XX±.01 .XXX±.005 ±0°30'	PREP BY	L. Cardinal	05/19/09	OUTLINE DRAWING FREQUENCY DOUBLER A2 PKG
	CHKD BY	L. Cardinal	06/01/09	
	PROJ ENGR	B. Jang	06/01/09	SIZE A    CODE IDENT. NO. 33592    120373
	APPROVAL (PROJ)			SCALE    REV. B    SHEET 1 OF 1
	APPROVAL (GOVT)			