

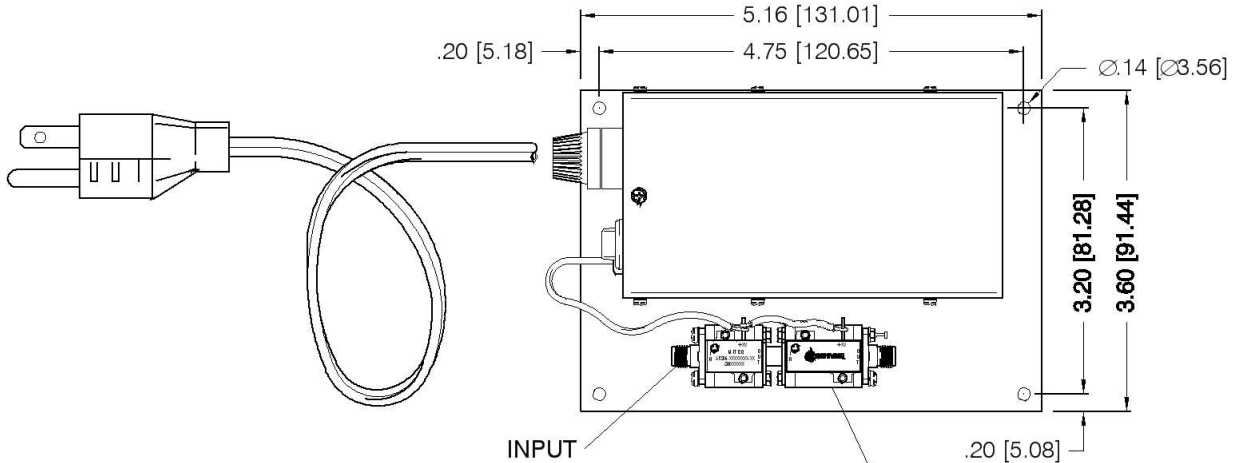
Current Revision

As of 4/11/2011 3:35:07 PM

DWALATA

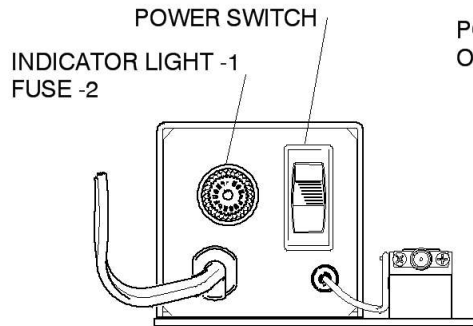


DASH NO.	APPLICATION		REVISIONS			
	NEXT ASSY	USED ON	LTR	DESCRIPTION	DATE	APPROVED
	114448		J	Incorporate ECN 19454	04/08/11	<i>R.Scherer</i>

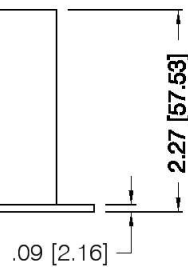


AFS SERIES AMPLIFIER
SINGLE OR DOUBLE UNIT
(AFS46 SHOWN)

POWER SUPPLY INPUT 100V TO 240 VAC
OUTPUT 15.0VDC



AFS SERIES AMPLIFIER
(AFS4 SHOWN)



UNLESS OTHERWISE SPECIFIED DIMENSIONS ARE IN INCHES TOLERANCES ON DECIMAL .X ±0.1 DECIMAL .XX ±0.01 DECIMAL .XXX ±0.005 ANGLES X° ±30'	NAME	DATE	 100 Davids Drive, Hauppauge, New York 11788			
	DWN BY <i>B.Taraseiskey</i>	08/13/90				
	CHK BY <i>R.Scherer</i>	04/08/11	PS15V1 POWER SUPPLY OUTLINE			
	PROJ ENGR <i>J. Buonaiuto</i>	04/08/11				
	SECT HEAD					
Q.C.		SIZE	CODE IDENT. NO.		REV	
CUST		A	33592	116438	J	
		SCALE	PROJECT	SHEET	OF 1	