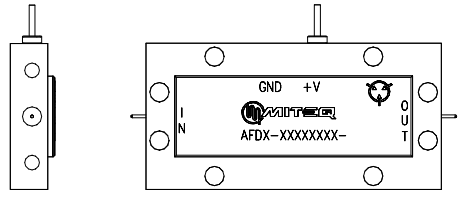
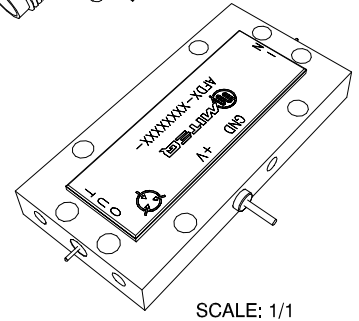
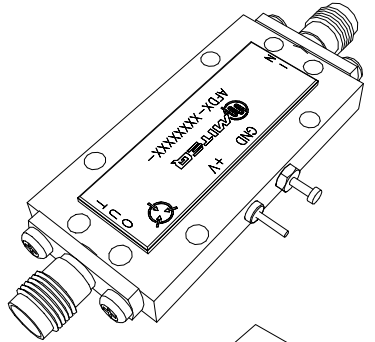
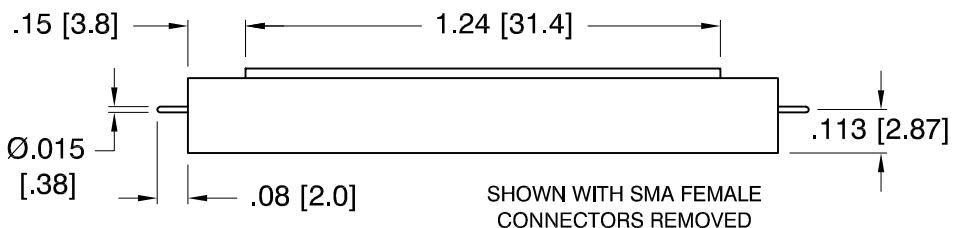
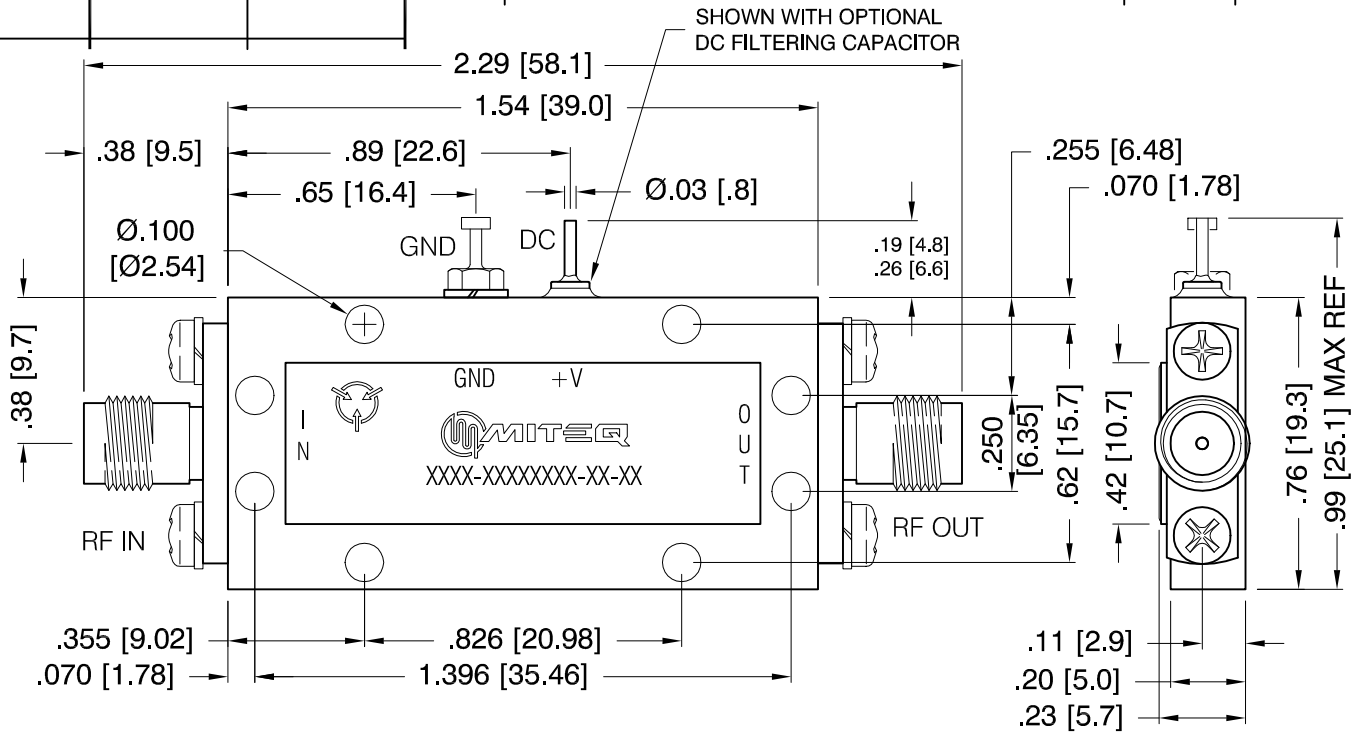


DASH NO.	APPLICATION		REVISIONS			
	NEXT ASSY	USED ON	LTR	DESCRIPTION	DATE	APPROVED
	113469		E	GROUND LUG LOCK WASHER ADDED	8/26/2005	<i>Ray P</i>



UNLESS OTHERWISE SPECIFIED DIMENSIONS ARE IN INCHES TOLERANCES ON	NAME	DATE
	DWN BY	7/28/1988
DECIMAL .XX ±.01 DECIMAL .XXX ±.005 ANGLES X° ±30'	CHK BY <i>Ray P</i>	8/26/2005
	PROJ ENGR <i>J. Buonaiuto</i>	8/26/2005
SECT HEAD		
Q.C.		
CUST		



1-2GHz, 3 STAGE AMPLIFIER
(AFD SERIES)
OUTLINE

SIZE	CODE IDENT. NO.		REV
A	33592	113427	E
SCALE	PROJECT	SHEET 1 OF	1