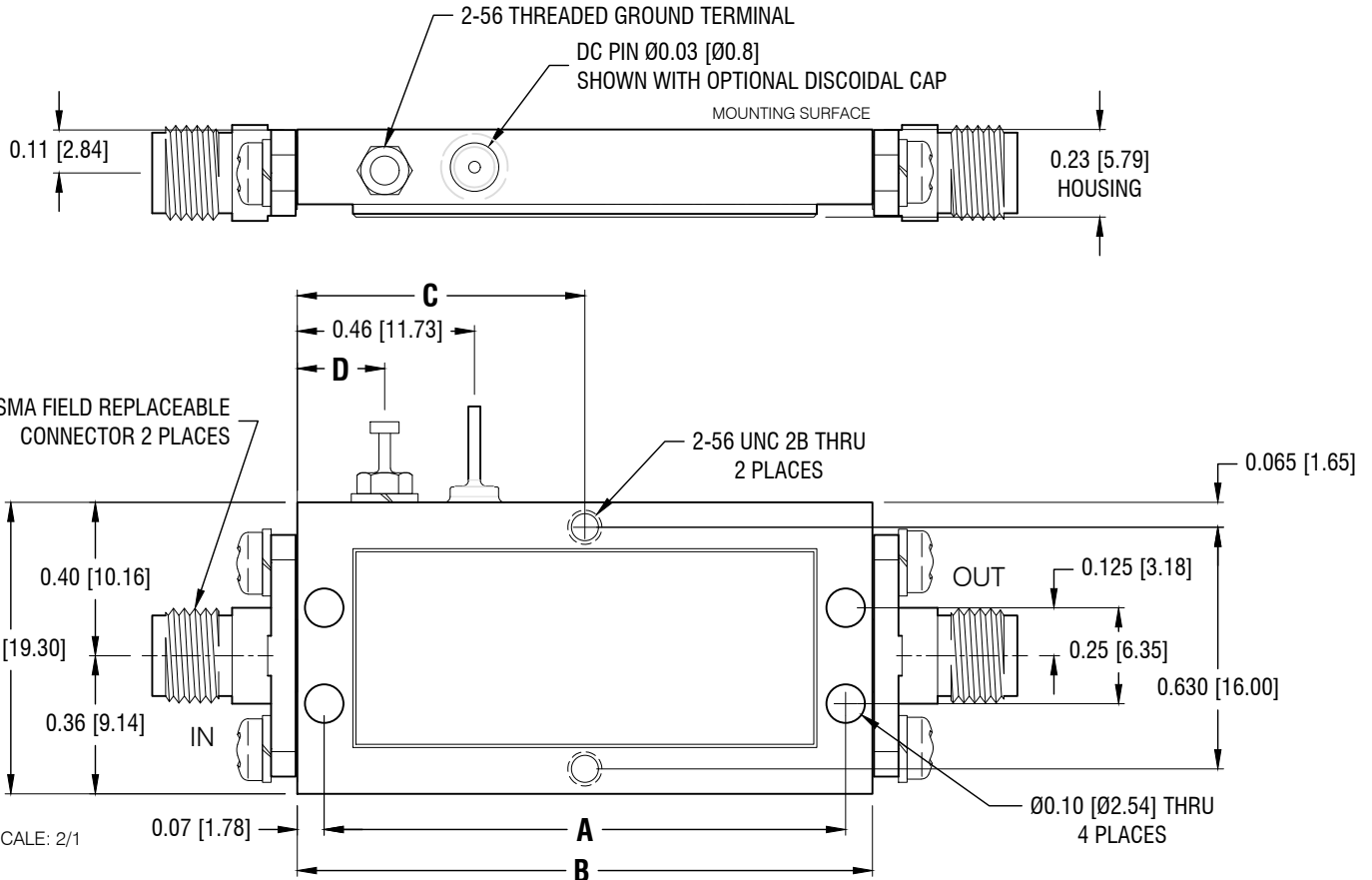


DASH NO.	APPLICATION		REVISIONS			
	NEXT ASSY	USED ON	LTR	DESCRIPTION	DATE	APPROVED
	132723		G	Incorporate ECN 38158	03/18/17	<i>rs</i>
PRINT NOT ON AUTOMATIC DISTRIBUTION VERIFY REVISION PRIOR TO USE						



TYPE	DIM A	DIM B	DIM C	DIM D
2 STAGE	1.051 [26.70]	1.191 [30.25]	.616 [15.65]	.27 [6.93]
3 STAGE	1.360 [34.54]	1.500 [38.10]	.750 [19.05]	.23 [5.79]

NOTE

1. DIMENSIONS IN BRACKETS ARE METRIC EQUIVALENTS



Narda-MITEQ PROPRIETARY

THIS DOCUMENT CONTAINS INFORMATION WHICH IS PROPRIETARY TO Narda-MITEQ. THE CONTENTS SHALL NOT BE DISCLOSED, COPIED, DISTRIBUTED, OR USED UNLESS AUTHORIZED BY AN OFFICER OF Narda-MITEQ. UNLESS

THESE ITEM(S)/TECHNOLOGY CONTAIN INFORMATION SUBJECT TO U.S. GOVERNMENT EXPORT CONTROL IN ACCORDANCE WITH THE EXPORT ADMINISTRATION REGULATIONS (EAR), 15 CFR PARTS 730-744. EXPORT OF THIS DATA TO ANY FOREIGN COUNTRY OR DISCLOSURE OF THIS DATA TO ANY NON-US PERSON MAY BE A VIOLATION OF FEDERAL LAW.

UNLESS OTHERWISE SPECIFIED DIMENSIONS ARE IN INCHES TOLERANCES ON

NAME	DATE
DWN <i>J. Depperman</i>	07/12/85
DFT DES <i>rs</i>	03/18/17
PROJ ENGR <i>Duc. Chau</i>	03/20/17
MFG ENGR	
Q.C.	
CUST	



435 MORELAND RD HAUPPAUGE, NY 11788

AFD SERIES OUTLINE
2-8 GHz 2 STAGE & 2-4 GHz 3 STAGE
AMPLIFIER

SIZE A	CODE IDENT. NO. 99899	110228	REV G
SCALE	PROJECT	SHEET 1 OF 1	