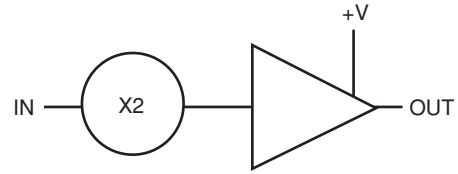


ACTIVE FREQUENCY DOUBLERS (CONT.)

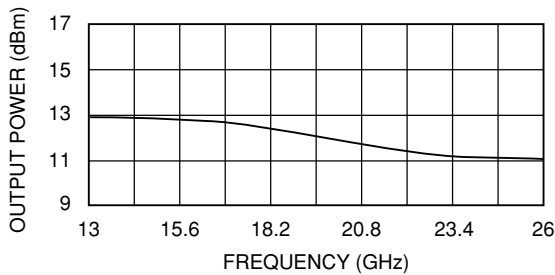
MODEL: SYS2M130260

ELECTRICAL SPECIFICATIONS

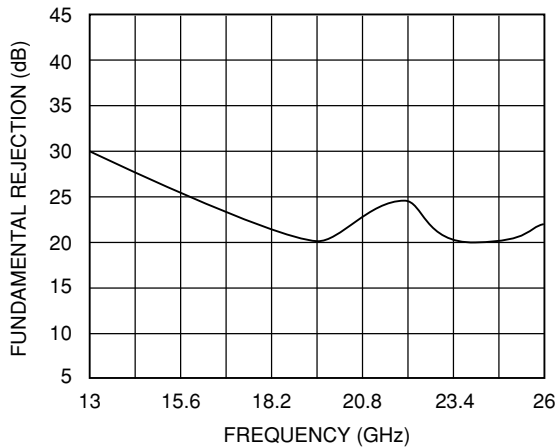
Input frequency range	6.5 – 13 GHz minimum
Output frequency range	13 – 26 GHz minimum
Input power range	8 – 12 dBm nominal
Optional input/output power	
SYS2J130260	3 – 8 dBm
SYS2H130260	12 – 16 dBm
SYS2V130260	16 – 20 dBm
Harmonic rejection	
Fundamental	-20 dB typical
Odd harmonic	-20 dB typical
DC voltage/current	+15/100
SYS2V130260	+15/350



OUTPUT POWER VS. FREQUENCY

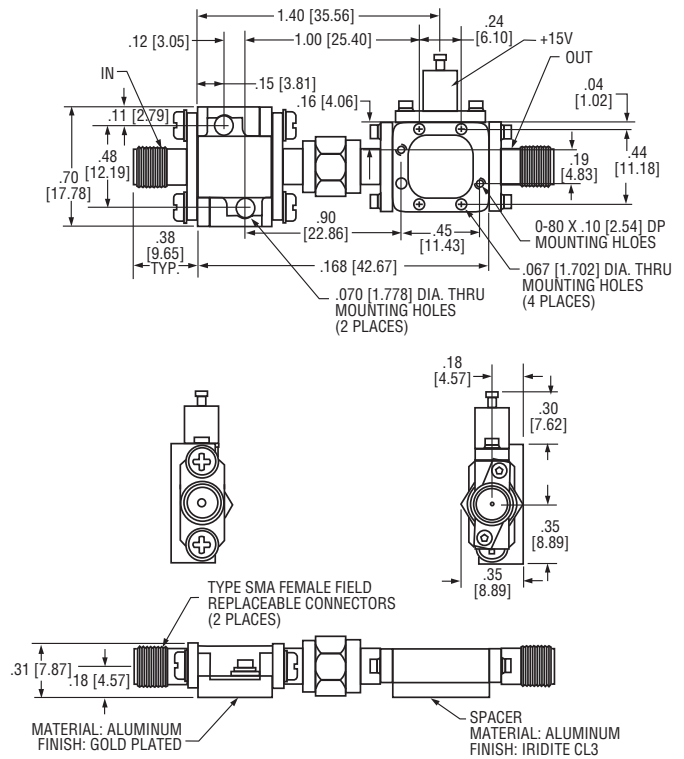


FUNDAMENTAL REJECTION VS. FREQUENCY
($P_{IN} = +10$ dBm)



OUTLINE DRAWING

160833



Notes:

- Dimensions are in inches [millimeters]
Tolerance as follows:
.xx = ±0.01 [.xx = ±0.25]
.xxx = ±0.005 [.xxx = ±0.13]