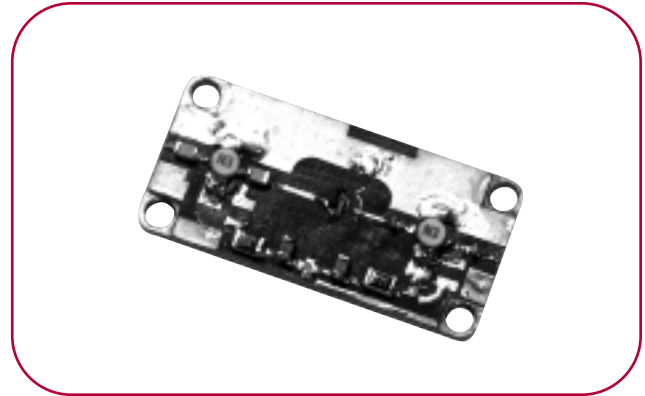


ACTIVE FREQUENCY DOUBLERS (CONT.)

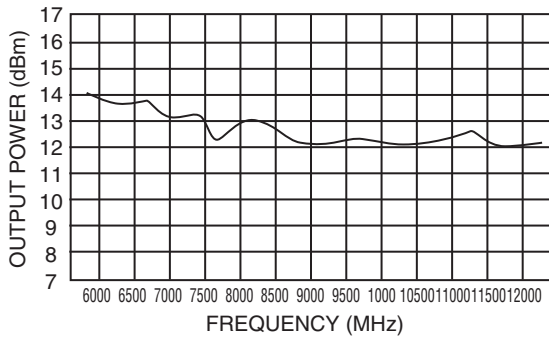
MODEL: SYS01J

ELECTRICAL SPECIFICATIONS

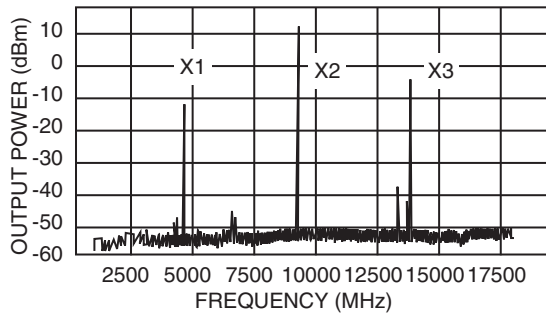
| | |
|--------------------------|--------------------|
| Input frequency range | 3 – 6 GHz minimum |
| Output frequency range | 6 – 12 GHz minimum |
| Input power range | 5 dBm |
| Output level | +12 dB minimum |
| Input harmonic rejection | |
| Fundamental | -20 dB typical |
| Odd harmonic | -20 dB typical |
| DC voltage/current | +5/120 |



OUTPUT POWER VS. FREQUENCY

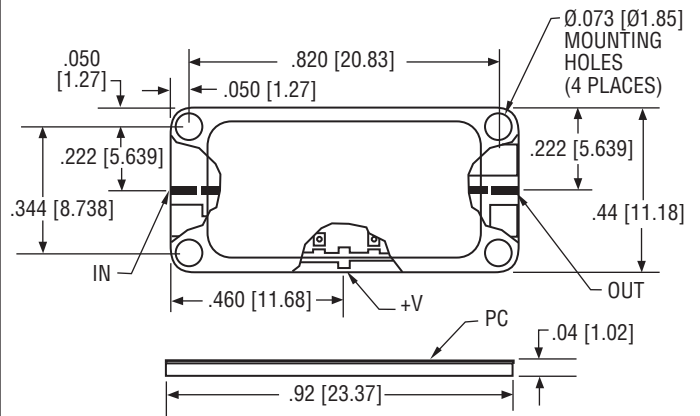


HARMONIC REJECTION



OUTLINE DRAWING

162011



NOTE:

1. All dimensions shown in brackets [] are in millimeters.