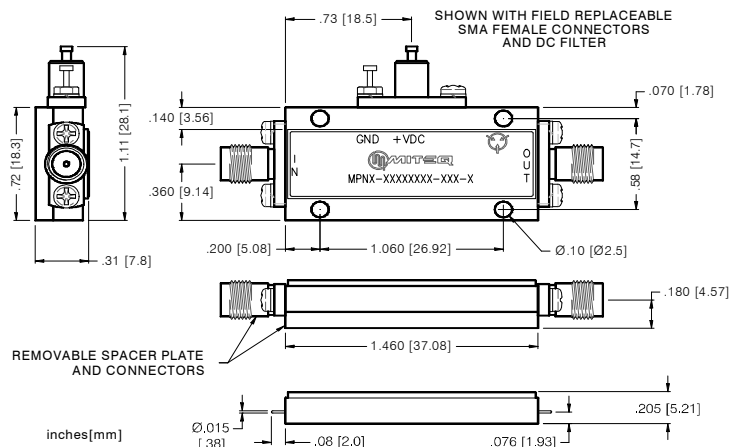


Specifications at +23°C

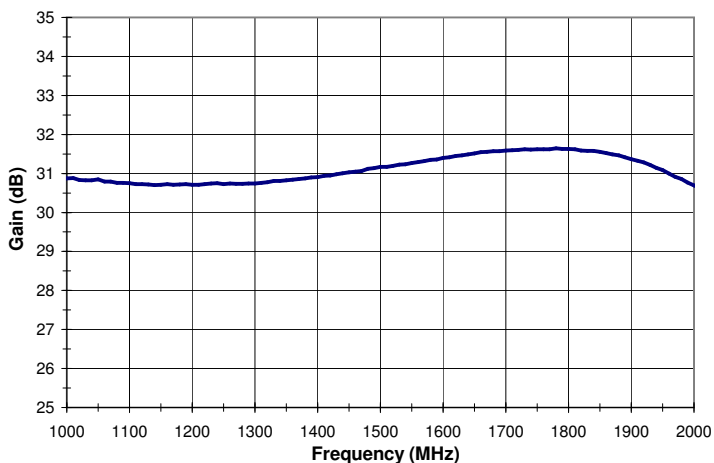
Parameter	Min	Typ	Max	Units
Frequency Range	1.0 TO 2.0			GHz
Gain	28			dB
Gain Flatness			±1.0	dB
Noise Figure			1.5	dB
Input Return Loss			-9.54	dB
Output Return Loss			-9.54	dB
Output Power @ 1 dB Compression (P1dB)	28			dBm
Output Third Order (IP3)		36		dBm
DC Voltage		15		VDC
DC Current (mA)		350		mA
Operating Temperature	-54		+70	°C
Storage Temperature	-65		+125	°C

Outline (127651)

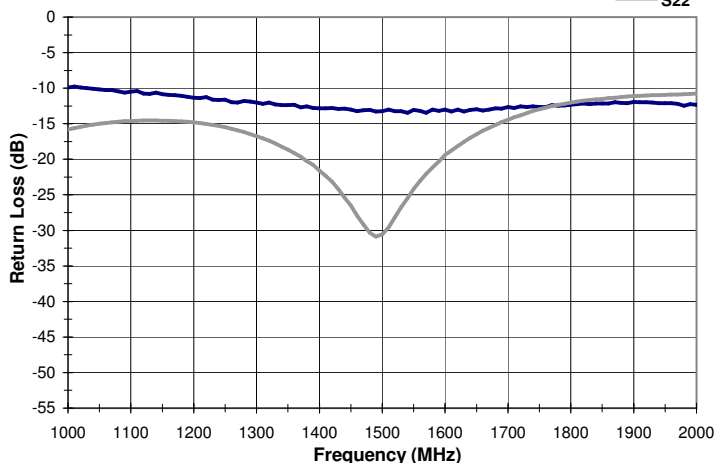


Typical Performance at +23°C

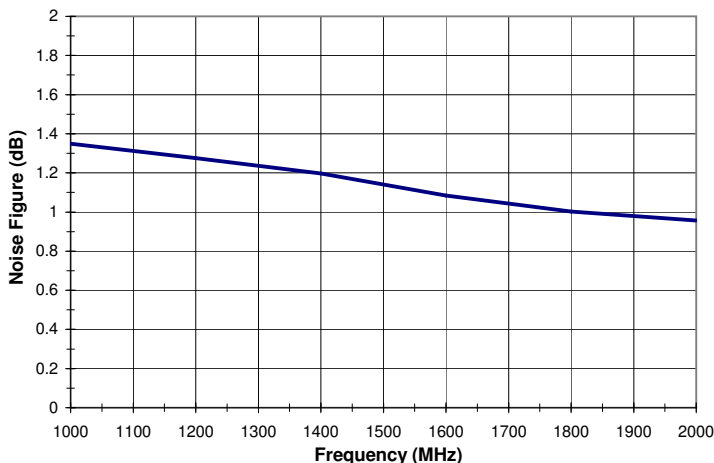
S21



S11 & S22



Noise Figure



Output Power @ 1 dB Compression

