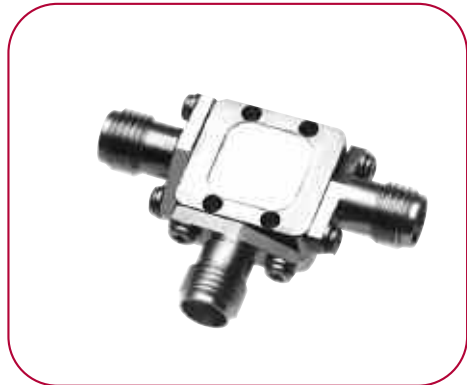


5 TO 20 GHz DOUBLE-BALANCED MIXER

MODEL: M0520W1

FEATURES

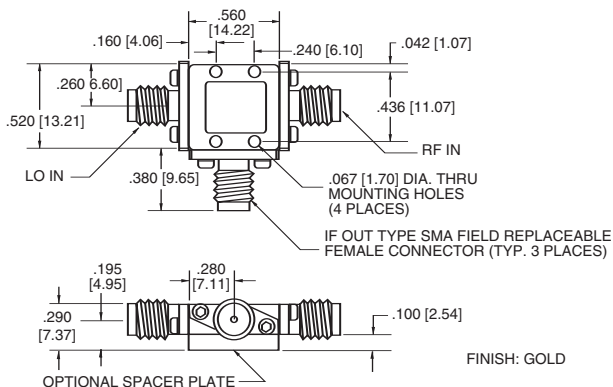
- RF/LO coverage 5 to 20 GHz
- IF operation DC to 3 GHz
- LO power range +17 to +23 dBm
- Packaging Hermetically sealed



ELECTRICAL SPECIFICATIONS

INPUT PARAMETERS	CONDITION	UNITS	MIN.	TYP.	MAX.
RF frequency range		GHz	5		20
RF VSWR	LO = +20 dBm	Ratio		2.75:1	
LO frequency range		GHz	5		20
LO power range		dBm	+17		+23
LO VSWR	LO = +20 dBm	Ratio		2.75:1	
TRANSFER CHARACTERISTICS	CONDITION	UNITS	MIN.	TYP.	MAX.
Conversion loss (IF = 1 GHz)	LO = +20 dBm	dB		10	13
Single-sideband noise figure at 25°C	LO = +20 dBm	dB		10.5	
LO-to-RF isolation	LO = +20 dBm	dB	25	30	
LO-to-IF isolation		dB		15	
RF-to-IF isolation		dB		15	
Input power at 1 dB compression	LO = +20 dBm	dBm		+10	
Input two-tone third-order intercept point	LO = +20 dBm	dBm		+20	
OUTPUT PARAMETERS	CONDITION	UNITS	MIN.	TYP.	MAX.
IF frequency range	3 dB bandwidth	GHz	DC		3
IF VSWR		Ratio		2.5:1	

OUTLINE DRAWING



NOTE: All dimensions shown in brackets [] are in millimeters.

MAXIMUM RATINGS

Specification temperature +25°C
 Operating temperature -54 to +85°C
 Storage temperature -65 to +125°C

NOTE: Test data supplied at 25°C;
 conversion loss and LO-to-RF isolation.

